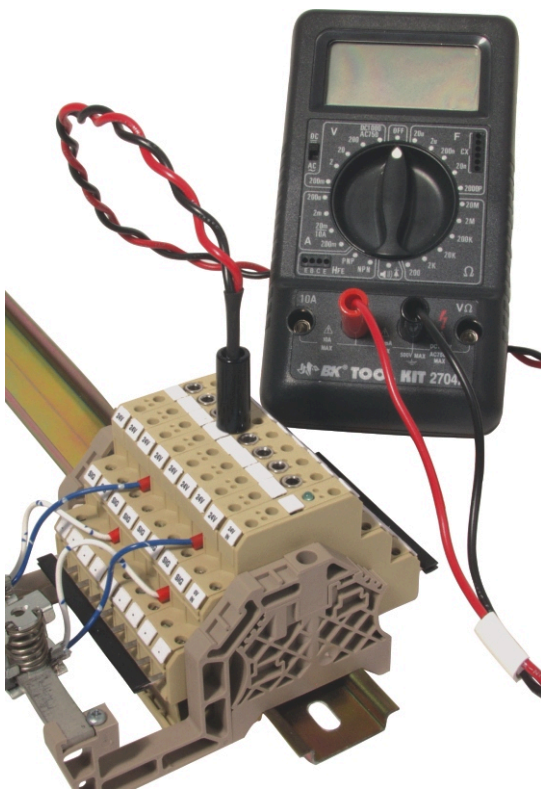


## MC6-INS

### Instrumentation Terminals

### for Current Loops



Shown with optional KLBU Shield Termination System

The MC6-INS offering consists of two specialized terminal blocks and a test cable.

The Power Terminal is used as an interface between a 24Vdc power supply and jumper combs that feed the power to the instrumentation terminals. It includes LED indication and a 0.5A fuse (soldered to PCB).

The instrumentation terminals provide connections for a transmitter and load i.e. a PLC analog input. It also includes a make-before-break switch that allows a test meter to be inserted into a current loop without momentarily opening the loop. There is no need to operate switches or disconnects - just insert the test cable into a socket on the top of the terminal, measure the current, and remove the cable.

#### Features:

- each terminal is just 8mm wide
- mounts on 32mm and 35mm DIN rails
- clearly labelled terminations
- easy and quick installation accessories such as jumper combs and shield termination systems

#### United States

Weidmuller Inc.  
821 Southlake Blvd.  
Richmond, Virginia 23236  
Telephone: (800) 849-9343  
Facsimile: (804) 379-2593  
Email: [info@weidmuller.com](mailto:info@weidmuller.com)  
Website: [www.weidmuller.com](http://www.weidmuller.com)

#### Canada

Weidmuller Ltd.  
10 Spy Court  
Markham, Ontario L3R 5H6  
Telephone: (800) 268-4080  
Facsimile: (905) 475-2798  
Email: [info1@weidmuller.ca](mailto:info1@weidmuller.ca)  
Website: [www.weidmuller.ca](http://www.weidmuller.ca)

#### Weidmuller, S.A. de C.V

5 Sur No. 4311  
Col. Huexotitla  
72534 Puebla, Pue. Mexico  
Telephone: (22) 37 2549  
Facsimile: (22) 43 1981  
Email: [weidmull@acnet.net](mailto:weidmull@acnet.net)

# MC6-INS Instrumentation Terminals for Current Loops

## Specifications

### Power Distribution Terminal

Voltage  
Current  
through connection (24V-24V, 0V-0V)  
fused output (24V - +)

### MC6-PWR

24Vdc  
0.5A (fused)  
6A  
0.5A max.  
0.4A recommended max.  
Littelfuse 473.500 soldered to PCB  
varistor between 24V and 0V  
red LED

### Catalog number

991784 2000

### Instrumentation Terminal

Output current  
Make-before-break connector

### MC6-INS

20mA typ.  
phono jack

### Catalog number

991784 1000

## Common Specifications

Wire size  
Molding Material  
Temperature rating  
Dimensions (mm)

22-12AWG  
polyamide 6.6, UL94-V2 rated  
0-60°C  
88.4mm x 8mm x 68.2mm

## Test Leads

Terminal end  
Meter end  
Wire size  
Length  
Other

1/8" phono plug  
banana plugs  
18 AWG  
1m  
colour coded (red & black)

### Catalog number

991785 1000

## Accessories

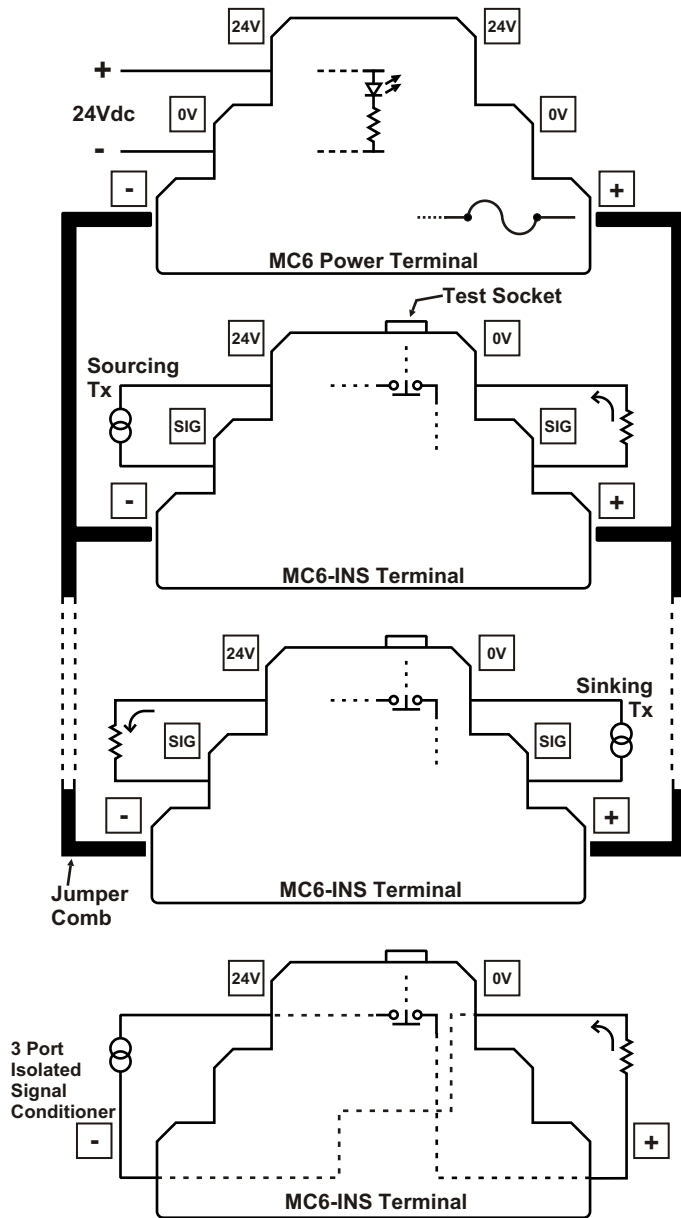
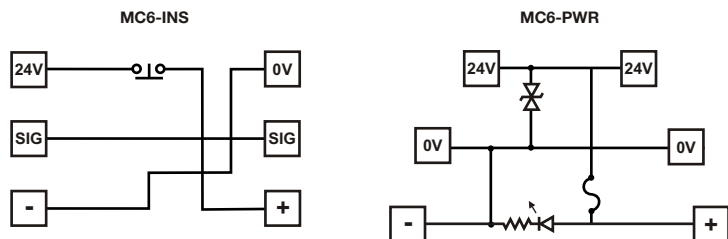
Uninsulated jumper  
comb (58 poles)\*  
Insulating sleeve  
Optional end plate (1.5mm)  
Test Plugs (PS2)  
End plate (required on last terminal  
in an assembly)

054540 0000  
054600 0000  
C9040396  
029380 0000  
C9040396

KLBU Shield Termination System: Consult "Shield Connection Terminals brochure (literature number 5618600000), "Terminals" catalog (5617680000) page 228, or "Core Assortment" catalog (5617050000) page 1-130.

\*Jumper comb and sleeve are easily cut to length

## Schematics



3 Port  
Isolated  
Signal  
Conditioner