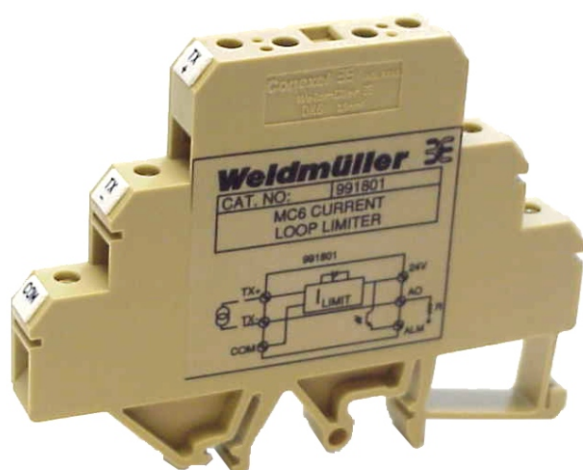


MC6

Current Limiter

for 2 Wire Transmitters (loop powered)



Shown with optional End Plate

The MC6-Current Limiter is designed to install in 4-20mA loops and prevent short circuits from causing a power supply to turn off. In the event of a short circuit the maximum current draw from the power supply is 24mA. Thus a short in one loop will not cause the power supply to turn off and shut down a complete system.

Although preventing the power supply from shutting down is desirable it is also important to know there is a fault. For this the MC6-Current Limiter provides a digital output to indicate it is in current limiting mode. When the short is corrected the module automatically reverts to normal operation.

The voltage drop across the device is just 2.5V max. so the effect on the complete loop is minimal. Mounting is on either 32mm or 35mm DIN rails. The compact package requires just 8mm of rail space (9.5mm with an end plate).

Suitable for use with two wire transmitters.

A version specifically for use in Fieldbus Foundation networks is also available.

Features:

- limits loop current to 24mA maximum, even when there is a direct short to ground.
- digital output to indicate short
- requires just 8mm of rail space
- CSA Class 1, Division 2 approved

Canada

Weidmuller Ltd.
10 Spy Court
Markham, Ontario L3R 5H6
Telephone: (800) 268-4080
Facsimile: (905) 475-2798
Email: info1@weidmuller.ca
Website: www.weidmuller.ca

Weidmuller, S.A. de C.V

Ave Ingenieros Civiles #204
Conjunto Industrial Chachapa
72990 Puebla, Pue. Mexico
Telephone: (222) 286 62 47
Facsimile: (222) 286 62 42

United States Weidmuller Inc.

821 Southlake Blvd.
Richmond, Virginia 23236
Telephone: (800) 849-9343
Facsimile: (804) 379-2593
Email: info@weidmuller.com
Website: www.weidmuller.com

MC6-Current Limiter

Specifications:

Voltage drop across device @ 20mA 2.5Vdc max.

Maximum current in a short circuit condition 24mA

Response time 1ms

Optocoupler output

Voltage 24V ± 20%

Current 50mA max.

Status LED red LED (on indicates fault)

Operating Temperature 0° to +50°C

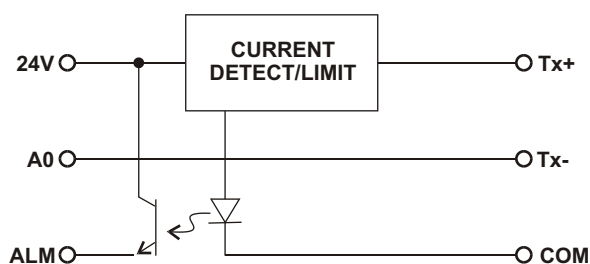
Storage Temperature -20° to +70°C

Wire Size 22 - 12 AWG

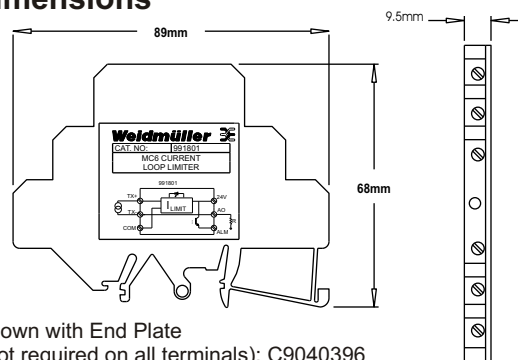
Catalog Numbers

MC6- Current Limiter 991801 0000

Block Diagram



Dimensions



Shown with End Plate
(Not required on all terminals): C9040396

Connection Diagram

