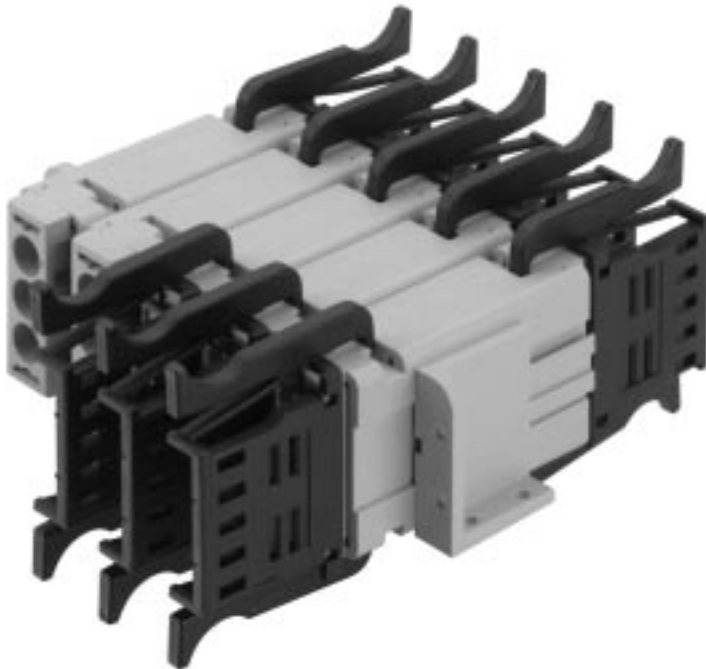


ModuFlex C - Modular Coupling System



Coupling frames and connector modules of the ConConcept System

- modular connectors without cost-intensive metal shells
- extremely versatile due to a large number of practical combinations
- separation of signal and power modules in the individual coupling frames is possible
- protection against incorrect insertion of the modules
- coupling frames with latched assembly angles for applications on mounting rails TS 32 and TS 35
- depending on module, useable with or without module removal tool/strain relief

USA

Weidmüller Inc.
821 Southlake Boulevard
Richmond
Virginia 23236
Tel. +1(0)804 - 7 94 28 77
Fax +1(0)804 - 3 79 25 93
info@weidmuller.com
<http://www.weidmuller.com>

Great Britain

Weidmüller Ltd.
1 Abbey Wood Road
Kings Hill
West Malling
Kent ME 19 4YT
Tel. +44(0)1732-87 70 00,
Fax +44(0)1732_87 42 96-
e-mail: sales@weidmueller.co.uk

Other Countries

Weidmüller Interface GmbH & Co.
Postfach 3030
D-32720 Detmold
Tel. (05231) 14-0, Fax (0 52 31) 14-2083
e-mail: info@weidmueller.de

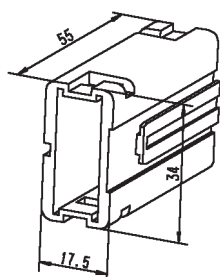
ModuFlex C

Together with the modules of the modular ConCept connector system, the ModuFlex C coupling system offers a flexible and low-cost general-purpose solution for indoor applications (for the IP 20 protection class).

Up to five identical ConCept modules can be installed in the coupling frame and be latched to each other. Thus, up to 100 signal transfers fit in one connector.

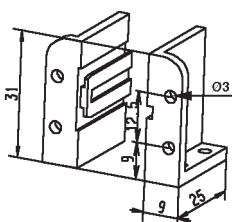
Each module can separately be inserted or removed. Thanks to the removal tool/ strain relief and the latched assembly angles, ModuFlex C and the male and female modules of the ConCept system provide a universal combination variety for all imaginable connector constellations.

ModuFlex C-CR Coupling frame



Colour	Grey	
Type	Cat. No.	QTY.
ModuFlex C-CR	1746060000	10

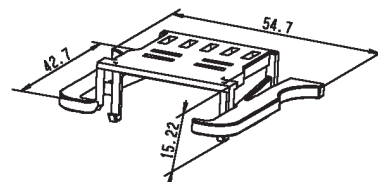
ModuFlex C-MW Assembly angle



Colour	Grey	
Type	Cat. No.	QTY.
ModuFlex C-MW	1746070000	10

Delivery incl. left and right assembly angle.

ModuFlex C-MH/ZE Module removal tool/strain relief



Colour	Black	
Type	Cat. No.	QTY.
ModuFlex C-MH/ZE	1752970000	10

Technical data

Materials data	
Insulation material	
Colour	
Temperature range	°C
Flammability class	

Characteristic system values	
Max. number of parts attachable	
Misalignment protection	
Hole diameter	mm
Extraction force of each module from coupling frame	N

Approvals

Weidmüller connectors are tested according to the DIN 0627 standard, and are valid for its field of applications. Provided that the connectors are used for the intended purpose, all requirements with respect to the occurring of electrical, mechanical, thermic and corrosive stress will be satisfied. Connectors are not allowed to be operated under loading.

Coupling frame / Assembly angle	
PC	
grey (RAL 7032)	
-40...+120	
UL 94 V-0	

5 coupling frames with male/female module given
3 (at the assembly angle)
>170

on request

Technical details of the modules please see datasheet ConCept

Module removal tool / Strain relief	
PA	
black	
-40...+120	
UL 94 V-2	

1 MH/ZE je Modul
-
-
-

on request

ModuFlex C

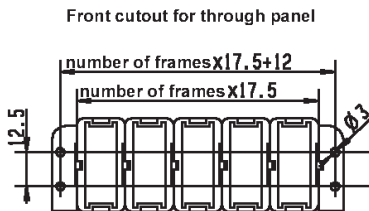
Accessories

Type	Cat. No.	QTY.
Screws¹⁾		
PTSC KB 30 x 6	1766120000	100
Distance bolt²⁾		
ABST.BOLZ.M3X27+KLSC-KIT	1766130000	1
Mounting foot³⁾		
MOFU	0495660000	20

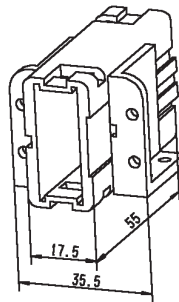
- ¹⁾ Phillips screw for securing the coupling on the mounting foot, on front or back panel, or on a flat surface.
²⁾ M3 x 27 distance bolt and M3 x 8 clamping screw comes in a set. For the installation of the coupling on flat surfaces. 1 package unit contains of 80 screws and 40 distance bolts, each individually packed in plastic bags.
³⁾ Mounting foot without hole for mounting rail TS 35 x 7,5 and TS 35 x 15. Insulation material is PA, colour is orange.

Panel cut out drawings

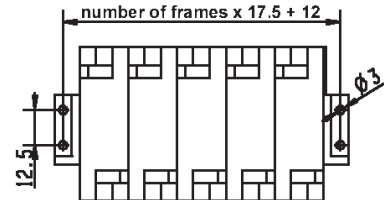
Cut-out for front and back plate through panel applications



Assembly dimensions of the coupling frame with assembly angle



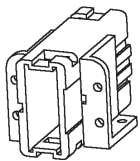
Drill dimensions for mounting on a flat surface or plate



Number of coupling frames incl. assembly angle

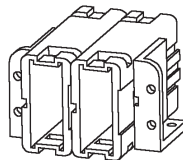
1-fold

Cat.no. 1765570000
 (1 coupling frame + 1 right and 1 left assembly angle)



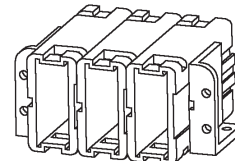
2-fold

Cat.no. 1765580000
 (2 coupling frames + 1 right and 1 left assembly angle)



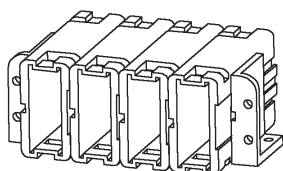
3-fold

Cat.no. 1765590000
 (3 coupling frames + 1 right and 1 left assembly angle)



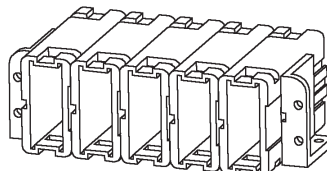
4-fold

Cat.no. 1765600000
 (4 coupling frames + 1 right and 1 left assembly angle)



5-fold

Cat.no. 1765610000
 (4 coupling frames + 1 right and 1 left assembly angle)



ConCept modules

Modul CM-3



Modul CM-4BZF/4SZF



Modul CM-HE



Modul CM-5



Modul CM-10



Modul CM-20



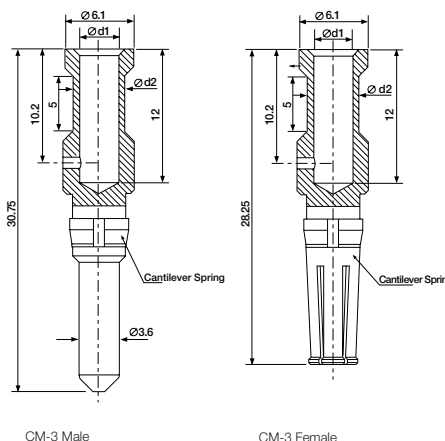
QTY.: 10 pieces for all types

Technical Data ConCept

General characteristic values		CM-3	CM-5	CM-10	CM-20	CM-HE	CM-4BZF/SZF
Designation		CM-3	CM-5	CM-10	CM-20	CM-HE	CM-4BZF/SZF
Number of poles		3	5	10	20	4	4
Contact diameter	mm	3,6	2,5	1,6	1	2,5	2,5
Category of connection		crimp	crimp	crimp	crimp	crimp	tension clamp
Contact		turned	turned	turned	turned	turned	turned
Connection cross-section	mm ²	4,0...10,0	0,5...4,0	0,14...2,5	0,08...0,52	0,5...4	0,5...2,5
AWG-Conductor		12...7	20...12	26...14	28...20	20...12	20...12
Electrical characteristic values plastic PC							
Colour:	grey						
max. rated voltage	V	630	250	250	100	630	400
max. rated current	A	40	20	10	4	25	14
Rated tansient voltage	KV	8	6	4	1,5	8	6
Degree of pollution		3	3	3	3	3	3
Insulation resistance	Ω >	10 ¹²	10 ¹²	10 ¹¹	10 ¹²	10 ¹²	10 ¹²
Overvoltage category		III	III	III	III	III	III
Through resistance	m Ω	< 5	< 5	< 5	< 5	< 5	< 5
Materials							
• Module		V-0					
Flammability class UL 94		PC (grey, RAL 7032)					
Plastic							
• Contacts		Cu-alloy					
Basis material		Ag	Ag	Ag/Au	Au	Ag/Au	Ag
Surface							

Crimp contacts

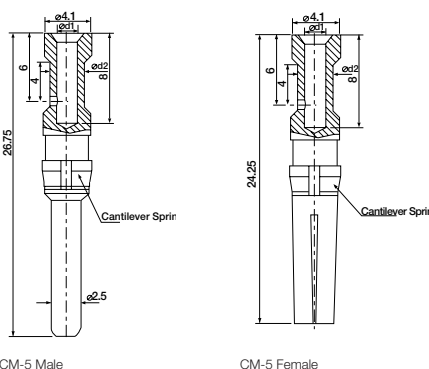
Crimp contacts must be ordered separately. Basis of the turned and stamped contacts is a brass-alloy. Contact platings are available either in gold- or silver-plated. Stamped contacts are only available with gold coating. The male and female inserts are available either for stamped or for tuned contacts. Please select in addition to the modules and frames the required crimp contacts.



Turned crimp contacts for module CM-3

Contact diameter of pin \varnothing 3.6 mm

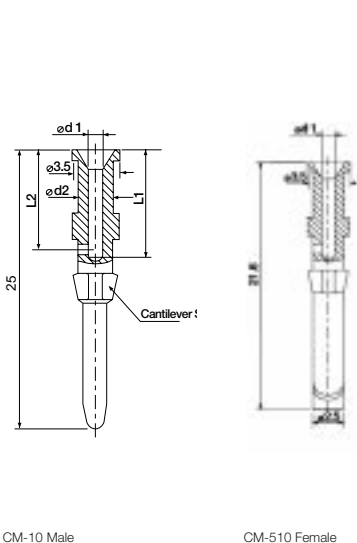
Cross-section mm ²	AWG	Plating	Version	Type	Cat. No.	Qty.
4.0	12	Ag	Male	HDC-C-M3-SM4.0Ag	1682260000	100
	12	Ag	Female	HDC-C-M3-BM4.0Ag	1682270000	100
6.0	10	Ag	Male	HDC-C-M3-SM6.0Ag	1682280000	100
	10	Ag	Female	HDC-C-M3-BM6.0Ag	1682290000	100
10.0	7	Ag	Male	HDC-C-M3-SM10.0Ag	1682300000	100
	7	Ag	Female	HDC-C-M3-BM10.0Ag	1682310000	100



Turned crimp contacts for module CM-5

Contact diameter of pin \varnothing 2.5 mm

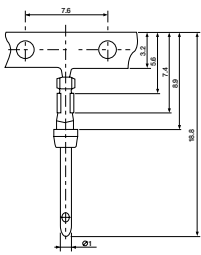
Cross-section mm ²	AWG	Plating	Version	Type	Cat. No.	Qty.
0,5	20	Ag	Male	HDC-C-M5-SM0.5Ag	1682320000	100
	20	Ag	Female	HDC-C-M5-BM0.5Ag	1682330000	100
0,75-1,0	18	Ag	Male	HDC-C-M5-SM0.75-1.0Ag	1682340000	100
	18	Ag	Female	HDC-C-M5-BM0.75-1.0Ag	1682350000	100
1,5	16	Ag	Male	HDC-C-M5-SM1.5Ag	1682360000	100
	16	Ag	Female	HDC-C-M5-BM1.5Ag	1682370000	100
2,5	14	Ag	Male	HDC-C-M5-SM2.5Ag	1682380000	100
	14	Ag	Female	HDC-C-M5-BM2.5Ag	1682390000	100
4,0	12	Ag	Male	HDC-C-M5-SM4.0Ag	1682400000	100
	12	Ag	Female	HDC-C-M5-BM4.0Ag	1682410000	100



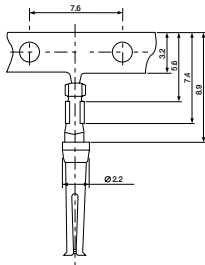
Turned crimp contacts for module CM-10

Contact diameter of pin \varnothing 1.6 mm

Cross-section mm ²	AWG	Plating	Version	Type	Cat. No.	Qty.
0,14-0,37	26...22	Au	Male	HDC-C-HD-SM0.14-0.37Au	1651620000	100
	26...22	Au	Female	HDC-C-HD-BM0.14-0.37Au	1651670000	100
	26...22	Ag	Male	HDC-C-HD-SM0.14-0.37Ag	1651520000	100
	26...22	Ag	Female	HDC-C-HD-BM0.14-0.37Ag	1651570000	100
0,5	20	Au	Male	HDC-C-HD-SM0.5Au	1651630000	100
	20	Au	Female	HDC-C-HD-BM0.5Au	1651680000	100
	20	Ag	Male	HDC-C-HD-SM0.5Ag	1651530000	100
	20	Ag	Female	HDC-C-HD-BM0.5Ag	1651580000	100
0,75-1,00	18	Au	Male	HDC-C-HD-SM0.75-1.00Au	1651640000	100
	18	Au	Female	HDC-C-HD-BM0.75-1.00Au	1651690000	100
	18	Ag	Male	HDC-C-HD-SM0.75-1.00Ag	1601750000	100
	18	Ag	Female	HDC-C-HD-BM0.75-1.00Ag	1601760000	100
1,5	16	Au	Male	HDC-C-HD-SM1.5Au	1651650000	100
	16	Au	Female	HDC-C-HD-BM1.5Au	1651700000	100
	16	Ag	Male	HDC-C-HD-SM1.5Ag	1651550000	100
	16	Ag	Female	HDC-C-HD-BM1.5Ag	1651600000	100
2,5	14	Au	Male	HDC-C-HD-SM2.5Au	1651660000	100
	14	Au	Female	HDC-C-HD-BM2.5Au	1651710000	100
	14	Ag	Male	HDC-C-HD-SM2.5Ag	1651560000	100
	14	Ag	Female	HDC-C-HD-BM2.5Ag	1651610000	100



CM-20 Male



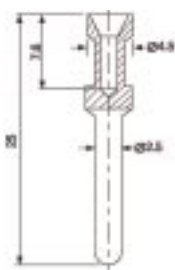
CM-20 Female

Stamped crimp contacts for module CM-20

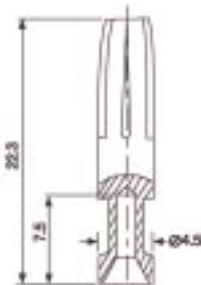
Contact diameter of pin \varnothing 1 mm

Cross-section mm ²	AWG	Plating	Version	Type	Cat. No.	Qty. ¹⁾
0,08-0,2	28...24	Au	Male	HDC-C-M20-SCG0.08-0.2Au	1682420000	300
	28...24	Au	Female	HDC-C-M20-BCG0.08-0.2Au	1682430000	300
0,2-0,52	24...20	Au	Male	HDC-C-M20-SCG0.2-0.52Au	1682440000	300
	24...20	Au	Female	HDC-C-M20-BCG0.2-0.52Au	1682450000	300

1) Bandolier contacts wrapped on reel



CM-HE Male



CM-HE Female

Stamped crimp contacts for module CM-HE

Contact diameter of pin \varnothing 1 mm

Cross-section mm ²	AWG	Plating	Version	Type	Cat. No.	Qty.
0,5	20	Au	Male	HDC-C-HE-SM0.5Au	1651420000	100
	20	Ag	Male	HDC-C-HE-SM0.5Ag	1200500000	100
0,5	20	Au	Female	HDC-C-HE-BM0.5Au	1651470000	100
	20	Ag	Female	HDC-C-HE-BM0.5Ag	1201100000	100
0,75 - 1,00	18	Au	Male	HDC-C-HE-SM0.75-1.00Au	1651430000	100
	18	Ag	Male	HDC-C-HE-SM0.75-1.00Ag	1200600000	100
0,75 - 1,00	18	Au	Female	HDC-C-HE-BM0.75-1.00Au	1651480000	100
	18	Ag	Female	HDC-C-HE-BM0.75-1.00Ag	1201200000	100
1,5	16	Au	Male	HDC-C-HE-SM1.5Au	1651440000	100
	16	Ag	Male	HDC-C-HE-SM1.5Ag	1200700000	100
1,5	16	Au	Female	HDC-C-HE-BM1.5Au	1651490000	100
	16	Ag	Female	HDC-C-HE-BM1.5Ag	1201300000	100
2,5	14	Au	Male	HDC-C-HE-SM2.5Au	1651450000	100
	14	Ag	Male	HDC-C-HE-SM2.5Ag	1200800000	100
2,5	14	Au	Female	HDC-C-HE-BM2.5Au	1651500000	100
	14	Ag	Female	HDC-C-HE-BM2.5Ag	1201400000	100
4,0	12	Au	Male	HDC-C-HE-SM4.0Au	1651460000	100
	12	Ag	Male	HDC-C-HE-SM4.0Ag	1200900000	100
4,0	12	Au	Female	HDC-C-HE-BM4.0Au	1651510000	100
	12	Ag	Female	HDC-C-HE-BM4.0Ag	1201500000	100

ModuFlex C

Coupling frame and connector modules of the ConCept system

This solution, which was developed by Weidmüller, allows to insert and remove the connector modules separately and at any time. Together with the universal usability in the application, this solution is unique on the market of industry connectors and can be considered as being revolutionary for modular connectors. It offers almost every imaginable application in the IP 20 protection class that unite the benefits of the modular ConCept system.

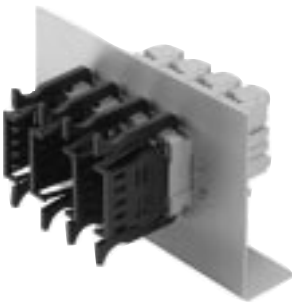
Applications:

- through-panel modular connector in the front or back panel
- modular coupling in the cable duct
- modular coupling for installation on a flat surface, e.g. at the bottom, on a wall or ceiling
- modular coupling for installation on mounting rails TS 32 or TS 35

The user-friendly low-cost solution...

Coupling frames with latched mounting brackets; partly pre-assembled, are available **in a set under one part number**.

Application examples



ModuFlex C as through-panel connector in the front or back panel



ModuFlex C as coupling in the cable duct



ModuFlex C for installation on a flat surface



ModuFlex C for installation on mounting rails TS 32 / TS 35