

Small polycarbonate enclosures

The enclosures of the MPC series are made from polycarbonate, which is particularly ideal for electrical, electro-mechanical and pneumatic devices or circuit boards. The enclosures come with extensive accessories for applications in demanding mechanical and chemical environments.

Features:

- 9 sizes
- Gray or transparent cover
- Cover with sealing holes
- Mounting holes located outside of the sealed area
- Threaded holes for mounting rails, mounting plates and PCBs

Our assembly service can supply these enclosures preassembled with terminals and cable glands according to customer requirements.



Technical data

Material	Polycarbonate
Cover	Transparent or gray
Surface	Gray, similar to RAL 7035
Gasket	Foamed polyurethane
Cover fixing	4 crosshead screws (polyamide)
Enclosure mounting	4 holes Ø 4.5 or external fixing lugs (accessories)
Equipment mounting	Self-tapping screws
Protection class	IP 66 and IP 67
Temperature range	-50 °C to +130 °C

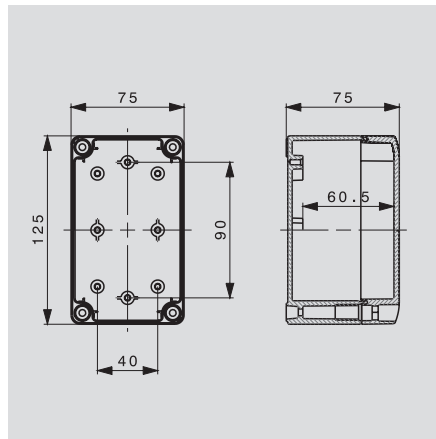
Overview of enclosures

Type H x W x D	75 x 125 x 75	75 x 125 x 125	125 x 125 x 75	125 x 175 x 75	125 x 175 x 100	125 x 175 x 125
Gray cover	9535170000	9535210000	9535230000	9535290000	9535310000	9535330000
Transparent cover	9535180000	9535220000	9535240000	9535300000	9535320000	9535340000
Type H x W x D	175 x 175 x 75	175 x 175 x 150	175 x 250 x 100			
Gray cover	9535370000	9535430000	9535470000			
Transparent cover	9535380000	9535440000	9535480000			

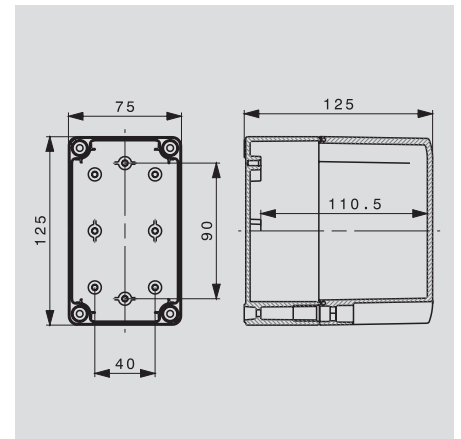
Small polycarbonate enclosure



MPC 07/12/07



MPC 07/12/12



Height x Width x Depth mm (in)

125 x 75 x 75 (4.92 x 2.95 x 2.95)

125 x 75 x 125 (4.92 x 2.95 x 4.92)

Technical data

Dimensions	
Interior depth	mm
Weight	g
Cable entries	
M16	
M20	
M25	

Top / Bottom	Left / Right
1	3
1	3

Top / Bottom	Left / Right
1	3
1	3

Terminal equipment content	
WDU 2,5 / ZDU 2,5	
WDU 4 / ZDU 4	
WDU 6 / ZDU 6	
WDU 10 / ZDU 10	

1x13
1x11
1x8
1x6

Note

Ordering data

Enclosure with gray lid
Enclosure with transparent lid

Type	Order No.
MPC 07/12/07 7035	9535170000
MPC 07/12/07 trsp	9535180000

Type	Order No.
MPC 07/12/12 7035	9535210000
MPC 07/12/12 trsp	9535220000

Note

Accessories

Mounting plate	
1.5 mm sheet steel	zinc-plated

Type	Qty.	Order No.
MP MPC 07/12	10	9535540000

Type	Qty.	Order No.
MP MPC 07/12	10	9535540000

Other accessories	
External fixing lugs	Set of 4 pieces each
Hinges	Set of 2 pieces each

MF MPC	1	9535600000
HG MPC	1	9535590000

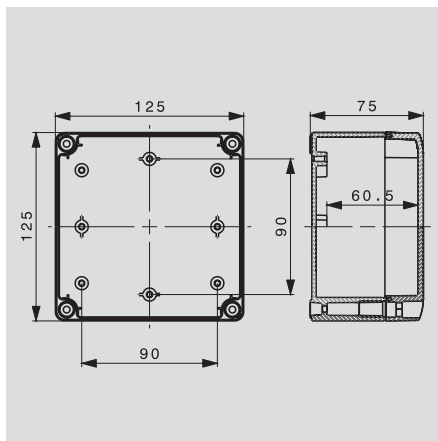
MF MPC	1	9535600000
HG MPC	1	9535590000

Note

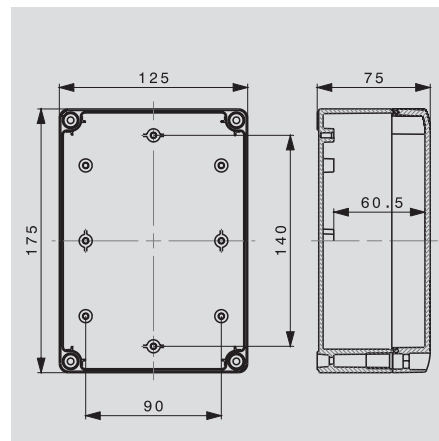
Small polycarbonate enclosure



MPC 12/12/07



MPC 12/17/07



Height x Width x Depth mm (in)

125 x 125 x 75 (4.92 x 4.92 x 2.95)

175 x 125 x 75 (6.89 x 4.92 x 2.95)

Technical data

Dimensions	
Interior depth	mm
Weight	g
Cable entries	
M16	
M20	
M25	

55	
283	
Top / Bottom	Left / Right
3	3
3	3

55	
381	
Top / Bottom	Left / Right
3	4
3	4

Terminal equipment content
WDU 2,5 / ZDU 2,5
WDU 4 / ZDU 4
WDU 6 / ZDU 6
WDU 10 / ZDU 10

Note

Ordering data

Enclosure with gray lid
Enclosure with transparent lid

Type	Order No.
MPC 12/12/07 7035	9535230000
MPC 12/12/07 trsp	9535240000

Type	Order No.
MPC 12/17/07 7035	9535290000
MPC 12/17/07 trsp	9535300000

Note

Accessories

Mounting plate
1.5 mm sheet steel zinc-plated

Type	Qty.	Order No.
MP MPC 12/12	10	9535550000

Type	Qty.	Order No.
MP MPC 12/17	10	9535600000

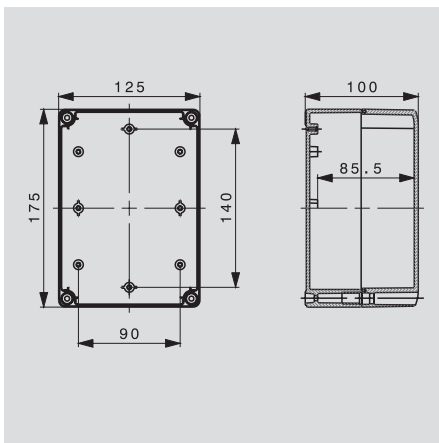
Other accessories	
External fixing lugs	Set of 4 pieces each
Hinges	Set of 2 pieces each

MF MPC	1	9535600000
HG MPC	1	9535590000

MF MPC	1	9535600000
HG MPC	1	9535590000

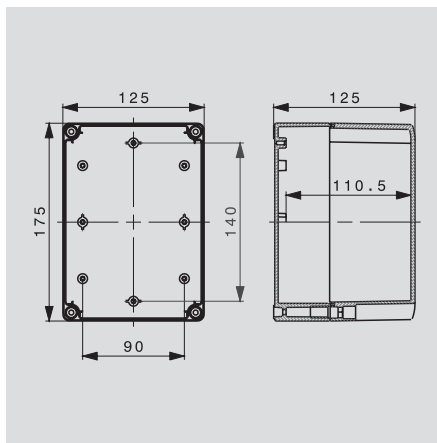
Note

MPC 12/17/10



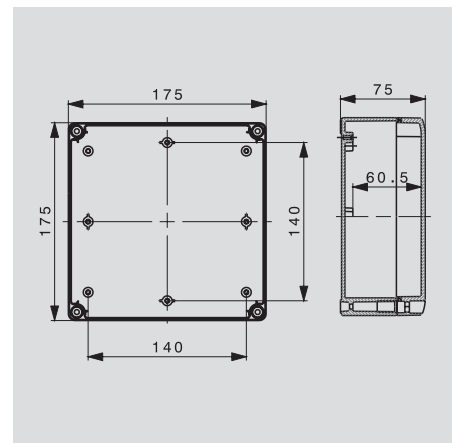
175 x 125 x 100 (6.89 x 4.92 x 3.94)

MPC 12/17/12



175 x 125 x 125 (6.89 x 4.92 x 4.92)

MPC 17/17/07



175 x 175 x 75 (6.89 x 6.89 x 2.95)

80	
465	
Top / Bottom	Left / Right
3	4
3	4

105	
530	
Top / Bottom	Left / Right
3	4
3	4

55	
461	
Top / Bottom	Left / Right
4	4
4	4

1x22
1x19
1x14
1x11

1x22
1x19
1x14
1x11

Type	Order No.
MPC 12/17/10 7035	9535310000
MPC 12/17/10 trsp	9535320000

Type	Order No.
MPC 12/17/12 7035	9535330000
MPC 12/17/12 trsp	9535340000

Type	Order No.
MPC 17/17/07 7035	9535370000
MPC 17/17/07 trsp	9535380000

Type	Qty.	Order No.
MP MPC 12/17	10	9535560000
MF MPC	1	9535600000
HG MPC	1	9535590000

Type	Qty.	Order No.
MP MPC 12/17	10	9535560000
MF MPC	1	9535600000
HG MPC	1	9535590000

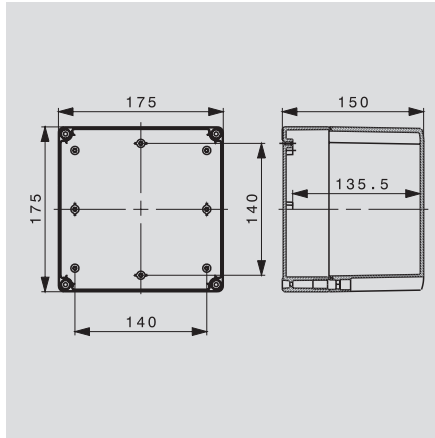
Type	Qty.	Order No.
MP MPC 17/17	10	9535570000
MF MPC	1	9535600000
HG MPC	1	9535590000

MPC - Polycarbonate enclosures

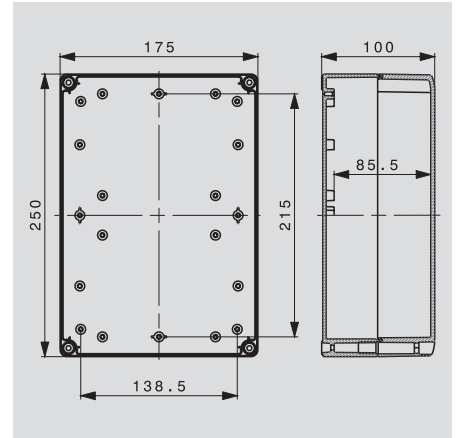
Small polycarbonate enclosure



MPC 17/17/15



MPC 17/25/10



Height x Width x Depth mm (in)

175 x 175 x 150 (6.89 x 6.89 x 5.90)

250 x 175 x 100 (9.84 x 6.89 x 3.94)

Technical data

Dimensions	
Interior depth	mm
Weight	g
Cable entries	
M16	
M20	
M25	

130	
717	
Top / Bottom	Left / Right
4	4
4	4

80	
743	
Top / Bottom	Left / Right
4	7
4	6

Terminal equipment content	
WDU 2,5 / ZDU 2,5	
WDU 4 / ZDU 4	
WDU 6 / ZDU 6	
WDU 10 / ZDU 10	

1x22	
1x19	
1x14	
1x11	

1x37	
1x31	
1x23	
1x19	

Note

Ordering data

Enclosure with gray lid	
Enclosure with transparent lid	

Type	Order No.
MPC 17/17/15 7035	9535430000
MPC 17/17/15 trsp	9535440000

Type	Order No.
MPC 17/25/10 7035	9535470000
MPC 17/25/10 trsp	9535480000

Note

Accessories

Mounting plate	
1.5 mm sheet steel	zinc-plated

Type	Qty.	Order No.
MP MPC 17/17	10	9535570000

Type	Qty.	Order No.
MP MPC 17/25	10	9535580000

Other accessories	
External fixing lugs	Set of 4 pieces each
Hinges	Set of 2 pieces each

MF MPC	1	9535600000
HG MPC	1	9535590000

MF MPC	1	9535600000
HG MPC	1	9535590000

Note