

# CB2200 Series Supplemental Circuit Breakers

## Circuit Breakers Thermal Magnetic Type

- Rated from 0.1 to 32.0 amps
- Available in single, double and triple pole configurations
- Offers normally open (N/O) and normally closed (N/C) auxiliary contacts
- Lever-switch trip/reset function
- Mounts on 32mm or 35mm DIN-rail
- UL 1077 recognized

## CB2200 Series Single Pole



## CB2200 Series Double Pole



## CB2200 Series Triple Pole



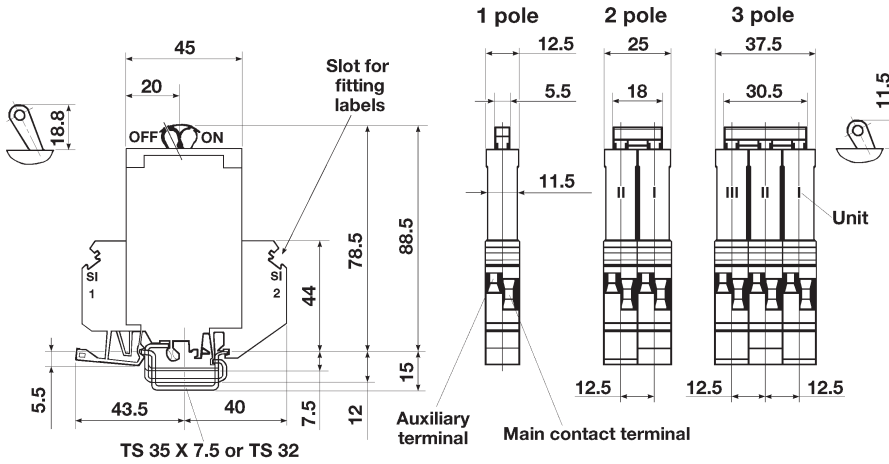
Ordering Data	Type: Single Pole*		Type: Double Pole		Type: Triple Pole	
	Current Ratings (amps)	N/O Aux. Part No.	Current Ratings (amps)	N/O-N/C Part No.	Current Ratings (amps)	N/O-N/C Part No.
	0.1	9911010005	0.1	9912010003	0.1	9913010003
	0.2	9911020005	0.2	9912020003	0.2	9913020003
	0.3	9911030005	0.3	9912030003	0.3	9913030003
	0.4	9911040005	0.4	9912040003	0.4	9913040003
	0.5	9911050005	0.5	9912050003	0.5	9913050003
	0.6	9911060005	0.6	9912060003	0.6	9913060003
	0.8	9911080005	0.8	9912080003	0.8	9913080003
	1.0	9911100005	1.0	9912100003	1.0	9913100003
	1.5	9911150005	1.5	9912150003	1.5	9913150003
	2.0	9911200005	2.0	9912200003	2.0	9913200003
	2.5	9911250005	2.5	9912250003	2.5	9913250003
	3.0	9911300005	3.0	9912300003	3.0	9913300003
	4.0	9911400005	4.0	9912400003	4.0	9913400003
	5.0	9911500005	5.0	9912500003	5.0	9913500003
	6.0	9911600005	6.0	9912600003	6.0	9913600003
	8.0	9911800005	8.0	9912800003	8.0	9913800003
	10	9921100005	10	9922100003	10	9923100003
	12	9921120005	12	9922120003	12	9923120003
	15	9921150005	15	9922150003	15	9923150003
	16	9921160005	16	9922160003	16	9923160003
	18	9921180005	18	9922180003	18	9923180003
	20	9921200005	20	9922200003	20	9923200003
	25	9921250005				
	32	9921320005				

\*All part numbers with N/O Auxiliary Contacts on each pole when the main breaker contact is open (in the OFF position)

Ordering Data	Type: Single Pole		Type: Double Pole		Type: Triple Pole	
	Current Ratings (amps)	Part No.	Current Ratings (amps)	Part No.	Current Ratings (amps)	Part No.
	0.1	9911010000	0.1	9912010000	0.1	9913010000
	0.2	9911020000	0.2	9912020000	0.2	9913020000
	0.3	9911030000	0.3	9912030000	0.3	9913030000
	0.4	9911040000	0.4	9912040000	0.4	9913040000
	0.5	9911050000	0.5	9912050000	0.5	9913050000
	0.6	9911060000	0.6	9912060000	0.6	9913060000
	0.8	9911080000	0.8	9912080000	0.8	9913080000
	1.0	9911100000	1.0	9912100000	1.0	9913100000
	1.5	9911150000	1.5	9912150000	1.5	9913150000
	2.0	9911200000	2.0	9912200000	2.0	9913200000
	2.5	9911250000	2.5	9912250000	2.5	9913250000
	3.0	9911300000	3.0	9912300000	3.0	9913300000
	4.0	9911400000	4.0	9912400000	4.0	9913400000
	5.0	9911500000	5.0	9912500000	5.0	9913500000
	6.0	9911600000	6.0	9912600000	6.0	9913600000
	8.0	9911800000	8.0	9912800000	8.0	9913800000
	10	9921100000	10	9922100000	10	9923100000
	12	9921120000	12	9922120000	12	9923120000
	15	9921150000	15	9922150000	15	9923150000
	16	9921160000	16	9922160000	16	9923160000
	18	9921180000	18	9922180000	18	9923180000
	20	9921200000	20	9922200000	20	9923200000
	25	9921250000	25	9922250000	25	9923250000
	32	9921320000	32	9922320000	32	9923320000

# CB2200 Series Supplemental Circuit Breakers

## CB2200 Series



Dimensions in mm

### Technical Data

Rated voltage & current†

UL
CSA
VDE

Auxiliary contacts	250 VAC / 65 VDC, 1 A
Creepage resistance	PTI 600 to IEC 112
Dielectric strength	3,000 VAC; IEC 664 & 664 A
Insulation resistance	> 100 MΩ (DC 500 V)

Interrupting capacity  
(VDE 0660, Part 101, P-2)

Interrupting capacity  
(UL 1077/EN 60934 PC1)

Typical life at 2 x rated current

Shock	25 g (11 ms) to IEC 68-2-27, Test Ea
Torque	0.6 (5.3) Nm (lb. in.) Auxiliary contact: 0.5 (4.4)
Vibration	5 g (57 to 500 Hz / ±0.38 mm, 10 to 57 Hz) to IEC 68-2-6, Test Fc
Temperature range	-30...+60°C (-22°F...+140°F)
Corrosion	96 hours at 5% salt spray, to IEC 68-2-11, Test Ka
Humidity	240 hours at 95% RH, to IEC 68-2-3, Test Ca
Weight	Approximately 60 g per pole
Wire size (UL)	max 6 mm²...8 AWG max 1.5 mm²...14 AWG (Aux. contact)

### Accessories

Jumpers	Daisy Chain 50
Busbars	

### Marking Tags

Special print only	DEK 5/6	0490360000*
Consecutive horizontal	DEK 5/6	0468660001
Consecutive vertical	DEK 5/6	0468760001

Note: Part numbers shown are for a single card of pre-printed tags numbered 1-50.

†Note: Resistive and inductive loads (0.05 - 16 A)

\*Please specify horizontal or vertical print when ordering.

Voltage Ratings

277 / 480 VAC (50/60 Hz); 65 VDC	Current Ratings	0.1...32 A
277 / 480 VAC (50/60 Hz); 65 VDC		0.1...32 A
250 / 415 VAC / 65 VDC		0.1...32 A

Rated current	Rated voltage	Rupture capacity (3 times)
0.05...0.8 A	250 / 415 VAC	400 A
6...32 A	250 / 415 VAC	800 A

Rated current	Rated voltage	Max. rupture capacity (3 times)
0.1...16 A	277 / 480 VAC	5000 A
20...32 A	277 / 480 VAC	2000 A
0.1...32 A	65 VDC	2000 A

5,000 operations

25 g (11 ms) to IEC 68-2-27, Test Ea
0.6 (5.3) Nm (lb. in.) Auxiliary contact: 0.5 (4.4)
5 g (57 to 500 Hz / ±0.38 mm, 10 to 57 Hz) to IEC 68-2-6, Test Fc
-30...+60°C (-22°F...+140°F)
96 hours at 5% salt spray, to IEC 68-2-11, Test Ka
240 hours at 95% RH, to IEC 68-2-3, Test Ca
Approximately 60 g per pole
max 6 mm²...8 AWG max 1.5 mm²...14 AWG (Aux. contact)

Type

BDC 50, 20 A maximum	Part No.	9970290000
1 pole (CB2200)		9986510000
2 pole (CB2200)		9987360000

## Trip Curves—Thermal Magnetic Type Typical time/current characteristics at 23°C

CB2200 Series

