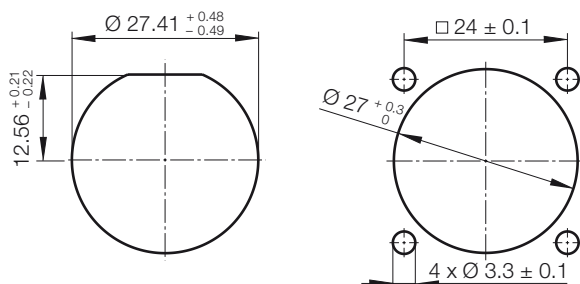




Housing variant: 1 metal

- IP 67



Housing variant: 1 metal

Application:

The Weidmüller variant 1 housing are made up of a bottom part (flange) and a top part (plug housing). When plugged together, they achieve IP67 protection.

Variation:

- 1962550000: plug-in housing
- 1962560000: plug-in housing with bending protection
- 1965690000: protective cap for plug-in housing (PA)
- 1963540000: bulkhead housing
- 1965700000: protective cap for bulkhead housing(PA)

The Weidmüller range of tools includes a selection of sheet metal punches for creating the cut-outs in switchgear cabinet doors. We also offer a comprehensive range of markers for connectors and flanges. See also the "Accessories" chapter.

Ordering data

Flange-mounted housing	Type	Order No.
	IE-BH-V01M	1963540000
Plug housing		
	IE-PH-V01M	1962550000
With kink prevention	IE-PH-V01M-BP	1962560000

Accessories

Color coding	Type	Order No.
yellow	IE-CR-IP67-WS20-YE	1963030000
Blue	IE-CR-IP67-WS20-BU	1963020000
Orange	IE-CR-IP67-WS20-OG	1963010000
green	IE-CR-IP67-WS20-GN	1963040000
gray	IE-CR-IP67-WS20-GY	1963000000
white	IE-CR-IP67-WS20-WH	1962990000
Dust cap		
Flange-mounted housing, protective cap	IE-BP-V01P	1965700000
Plug housing protective cap	IE-PP-V01P	1965690000
Note		

Technical data

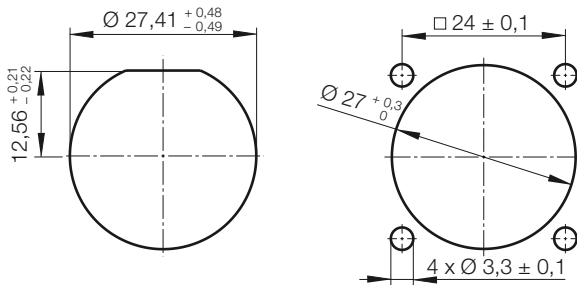
Protection class	IP 67
Housing material	Diecast zinc
Variant	Variant 1 to IEC 61076-3-106
Cladding diameter	5 mm - 10 mm
Configuration	Plug housing with labeling/marketing holder: 9*11 mm; suitable for holding RJ45 and fiber-optic inserts
Operating temperature, min. / max.	-40 °C / 70 °C
Plugging cycles	750 plugging cycles for plugs to IEC 60603-7

Note:

Weidmüller IE-LINE

Housing variant: 1 plastic

- IP 67



Housing variant: 1 plastic

Application:

The Weidmüller variant 1 housing are made up of a bottom part (flange) and a top part (plug housing). When plugged together, they achieve IP67 protection.

Variation:

- 1012440000: plug-in housing
- 1012460000: plug-in housing with bending protection
- 1965690000: protective cap for plug-in housing (PA)
- 1016960000: bulkhead housing
- 1965700000: protective cap for bulkhead housing(PA)

The Weidmüller range of tools includes a selection of sheet metal punches for creating the cut-outs in switchgear cabinet doors. We also offer a comprehensive range of markers for connectors and flanges. See also the "Accessories" chapter.



CR-IP67



PH-V01P



BH-V01P



PH-V01P-BP

Ordering data

Flange-mounted housing	Type	Order No.
	IE-BH-V01P	1016960000
Plug housing		
	IE-PH-V01P	1012440000
With kink prevention	IE-PH-V01P-BP	1012460000

Accessories

Color coding	Type	Order No.
yellow	IE-CR-IP67-WS20-YE	1963030000
Blue	IE-CR-IP67-WS20-BU	1963020000
Orange	IE-CR-IP67-WS20-OG	1963010000
green	IE-CR-IP67-WS20-GN	1963040000
gray	IE-CR-IP67-WS20-GY	1963000000
white	IE-CR-IP67-WS20-WH	1962990000
Dust cap		
Flange-mounted housing, protective cap	IE-BP-V01P	1965700000
Plug housing protective cap	IE-PP-V01P	1965690000
Note		

Technical data

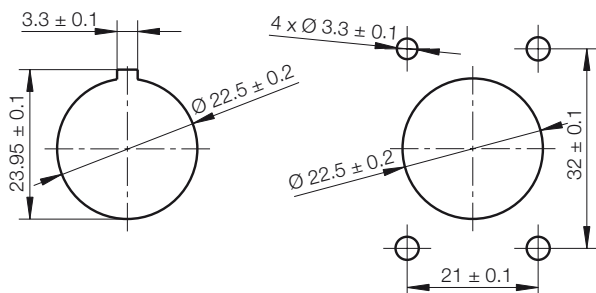
Protection class	IP 67
Housing material	PA UL 94 V0
Variant	Variant 1 to IEC 61076-3-106
Cladding diameter	5 mm - 10 mm
Configuration	Connector housing with label retainer 9*11 mm; suitable for holding RJ45 and FO inserts
Operating temperature, min. / max.	-40 °C / 70 °C
Plugging cycles	750 plugging cycles for plugs to IEC 60603-7

Note:



Housing variant: 4 plastic

- IP 67



Housing variant: 4 plastic

Application:

The Weidmuller variant 4 housing are made up of a bottom part (flange) and a top part (plug housing). When plugged together, they achieve IP67 protection.

Variation:

- 1962520000: plug-in housing
- 1962530000: plug-in housing with bending protection
- 1963890000: protective cap for plug-in housing(PA)
- 1963520000: bulkhead housing
- 1963900000: protective cap for bulkhead housing(PA)

The Weidmuller range of tools includes a selection of sheet metal punches for creating the cut-outs in switchgear cabinet doors. We also offer a comprehensive range of markers for connectors and flanges. See also the "Accessories" chapter.

Ordering data

Flange-mounted housing	Type	Order No.
	IE-BH-V04P	1963520000
Plug housing		
	IE-PH-V04P	1962520000
With kink prevention	IE-PH-V04P-BP	1962530000

Accessories

Color coding	Type	Order No.
yellow	IE-CR-IP67-WS20-YE	1963030000
Blue	IE-CR-IP67-WS20-BU	1963020000
Orange	IE-CR-IP67-WS20-OG	1963010000
green	IE-CR-IP67-WS20-GN	1963040000
gray	IE-CR-IP67-WS20-GY	1963000000
white	IE-CR-IP67-WS20-WH	1962990000
Dust cap		
Flange-mounted housing, protective cap	IE-BP-V04P	1963900000
Plug housing protective cap	IE-PP-V04P	1963890000
Note		

Technical data

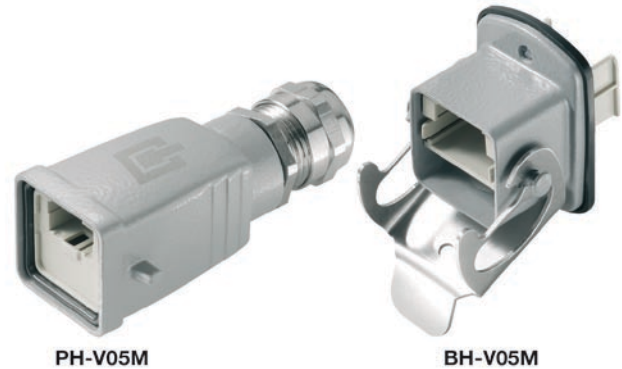
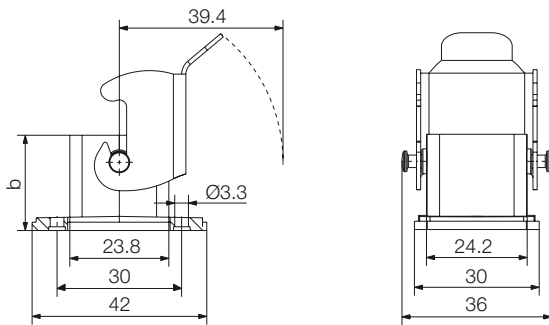
Protection class	IP 67
Housing material	PA UL 94 V0
Variant	Variant 4 to IEC 61076-3-106
Cladding diameter	5 mm - 10 mm
Configuration	Connector housing with label retainer 9*11 mm; suitable for holding RJ45 and FO inserts
Operating temperature, min. / max.	-40 °C / 70 °C
Plugging cycles	750 plugging cycles for plugs to IEC 60603-7

Note:

Weidmüller IE-LINE

Housing variant: 5 metal

- IP 67



Housing variant: 5 metal

Application:

The Weidmüller variant 5 housing are made up of a bottom part (flange) and a top part (plug housing). When plugged together, they achieve IP67 protection.

Variation:

- 1962540000: plug-in housing
- 1963690000: protective cap for plug-in housing
- 1963530000: bulkhead housing
- 1665750000: protective cap for bulkhead housing

The Weidmüller range of tools includes a selection of sheet metal punches for creating the cut-outs in switchgear cabinet doors. We also offer a comprehensive range of markers for connectors and flanges. See also the "Accessories" chapter.

Ordering data

Flange-mounted housing	Type	Order No.
	IE-BH-V05M	1963530000
Plug housing		
	IE-PH-V05M	1962540000

Accessories

Dust cap	Type	Order No.
Flange-mounted housing, protective cap	IE-BP-V05M	1968930000
Plug housing protective cap	IE-PP-V05M	1968920000
Note		

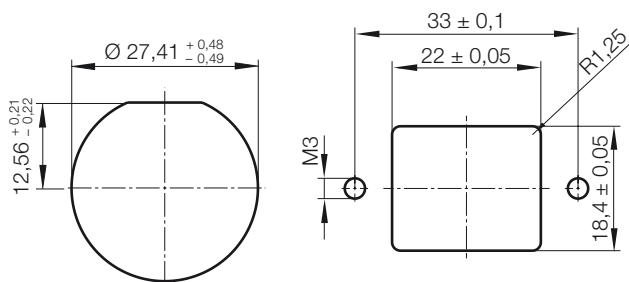
Technical data

Protection class	IP 67
Housing material	Diecast aluminum
Variant	Variant 5 to IEC 61076-3-106
Cladding diameter	5 mm - 12 mm
Configuration	Suitable for fitting with RJ45 inserts
Operating temperature, min. / max.	-40 °C / 70 °C
Plugging cycles	750 plugging cycles for plugs to IEC 60603-7

Note:

Housing variant: 14 metal

- IP 67



Housing variant: 14 metal

Application:

The Weidmüller variant-14 housings are made up of a bottom part (flange) and a top part (plug housing). When plugged together, they achieve IP67 protection.

The differences:

- 1011560000: plug housing with RJ45 adapter
- 1011570000: plug housing with RJ45 adapter and kink prevention
- 1058100000: plug housing with fiber-optic adapter
- 1058280000: plug housing: protective cap (PA)
- 1011540000: standardized flange with RJ45 adapter
- 1047940000: device flange
- 1047950000: central locking flange with RJ45 adapter
- 1058310000: flange housing: protective cap (PA)

The Weidmüller range of tools includes a selection of sheet metal punches for creating the cut-outs in electrical cabinet doors. We also offer a comprehensive range of markers for connectors and flanges. See also the "Accessories" chapter.



CR-IP67



BHS-V14M



PH-V14M



PH-V14M-BP

Ordering data

Flange-mounted housing	
Standardized flange with RJ45 adapter	
Central locking flange with RJ45 adapter	
Device flange	
Plug housing	
With RJ45 adapter	
With RJ45 adapter and kink prevention	
With fiber-optic adapter	
With fiber-optic adapter and kink prevention	

Type	Order No.
IE-BHS-V14M-RJA	1011540000
IE-BHC-V14M-RJA	1047950000
IE-BHD-V14M	1047940000
IE-PH-V14M-RJ	1011560000
IE-PH-V14M-RJ-BP	1011570000
IE-PH-V14M-FO	1058100000
IE-PH-V14M-FO-BP	1058110000
on request	

Accessories

Color coding	
yellow	
Blue	
Orange	
green	
gray	
white	
Dust cap	
Flange-mounted housing, protective cap	
Plug housing protective cap	
Note	

Type	Order No.
IE-CR-IP67-WS20-YE	1963030000
IE-CR-IP67-WS20-BU	1963020000
IE-CR-IP67-WS20-OG	1963010000
IE-CR-IP67-WS20-GN	1963040000
IE-CR-IP67-WS20-GY	1963000000
IE-CR-IP67-WS20-WH	1962990000
IE-BP-V14P	1058310000
IE-PP-V14P	1058280000

Technical data

Protection class	IP 67
Housing material	Diecast zinc
Variant	Variant14 to IEC 61076-3-117
Cladding diameter	5mm - 10mm
Configuration	Connector housing with label retainer 9*11 mm; suitable for holding RJ45 and FO inserts
Operating temperature, min. / max.	-40 °C / 70 °C
Plugging cycles	750 plugging cycles for plugs to IEC 60603-7

Note: