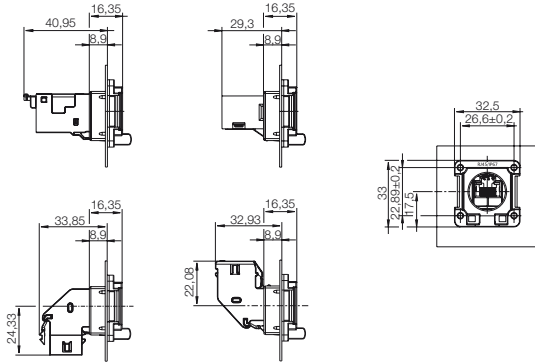


**Built-in flange V 06**

- Cat.6
- IP 67



**V 06 mounting flange**

**Application:**

Weidmüller's mounting flanges are your best choice when you need IP 67 connections at the switching cabinet or distribution board.

**TVariations:**

- 8808440000: RJ45 module insert for connection of conductors ranging from AWG 26 to AWG 22; Color coding acc. to EIA/TIA 568 A
- 8808450000: coupling insert for RJ45 to RJ45, straight version
- 8829450000: coupling insert for RJ45 to RJ45, downwards angled version
- 8829440000: coupling insert for RJ45 to RJ45, upwards angled version
- 8892670000: coupling insert for USB to USB

**Ordering data**

Coupling flange	Type	Order No.
straight	IE-X1M-FJ45/RJ45-IP67	8808450000
Angled, downwards	IE-XM-6D-RJ45/RJ45-IP67	8829450000
Angled, upwards	IE-XM-6U-RJ45/RJ45-IP67	8829440000
RJ45 module flange		
straight	IE-XM-RJ45/IDC-IP67	8808440000
USB flange		
	IE-XM-USB/USB-IP67	8892670000

**Accessories**

Flange insert	Type	Order No.
RJ45 module A, straight	IE-XRJ45/IDC	8808330000
RJ45 module B, straight	IE-XRJ45/IDC-B	8908840000
RJ45 coupling, straight	IE-XRJ45/RJ45	8878120000
RJ45 coupling, angled	IE-U-XRJ45/RJ45	8878130000
Note		

**Technical data**

Category	Cat.6 (IEC 11801)
Protection class	IP 67
Housing material	PA 66; UL 94: V-0
Color	light gray (RAL 7035)
Shielding	360° shield contact
Installation	in switching cabinet or junction boxes
Plugging cycles	750 plugging cycles for plugs to IEC 60603-7

Note: