

Cabtite

Cabtite	Cable entry system	C.2
	Cable grommets	C.3
	Cable entry frames	C.4
	Separable cable gland	C.7

Cable entry system

Do you really need a plug-in connector on the outside of your switchgear cabinet?

Or do you simply just want to make the right connections?

Now you can save space, time and money with Cabtite.

Cabtite makes it possible for you to insert your pre-assembled connectors through the cabinet wall and, at the same time, achieves a minimum protection classification of IP54.

The manufacturer's guarantee remains valid because the cable does not have to be cut.

The individual elements of the system result in countless combination options because the same sealing grommets are utilised for the entry frames and the cable glands.

In particular, when used for measurement circuits, servo cables, computer cables or fieldbus systems, Cabtite is suitable for use in the following applications:

- Control engineering
- Switchgear cabinet manufacture
- Motor vehicle manufacture
- Systems engineering
- Mechanical engineering
- Electrical installation

Cabtite KEL SNAP frame



Separable cable gland Cabtite KVT



Cabtite sample set

Get a feel for the Cabtite system with our Cabtite sample set. It contains cable entry frames, snap frames, separable cable glands as well as diverse cable grommets.

Ordering data

Type	Qty	Order No.
Cabtite sample Kit	1	1849780000

HDC KT ...

Cable grommets, small



Cable grommets for ASI cables

Technical data

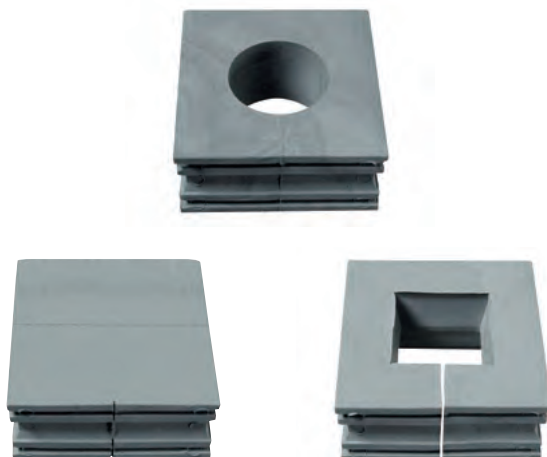
Material, gray	Free from elastomers, halogens and silicone
Material, black	Elastomers with very high chemical resistance
Temperature range	-20 °C ... 80 °C
UL 94 flammability rating	V0

Ordering data

Type	Clamping range [mm]	Qty	Order No. gray	Order No. black
HDC KT 3	3 – 4	10	1826460000	1827790000
HDC KT 4	4 – 5	10	1826470000	1827800000
HDC KT 5	5 – 6	10	1826480000	1827810000
HDC KT 6	6 – 7	10	1826490000	1827830000
HDC KT 7	7 – 8	10	1826500000	1827840000
HDC KT 8	8 – 9	10	1826510000	1827850000
HDC KT 9	9 – 10	10	1826520000	1827860000
HDC KT 10	10 – 11	10	1826530000	1827870000
HDC KT 11	11 – 12	10	1826540000	1827880000
HDC KT 12	12 – 13	10	1826550000	1827890000
HDC KT 13	13 – 14	10	1826560000	1827900000
HDC KT 14	14 – 15	10	1826570000	1827910000
HDC KT 15	15 – 16	10	1826580000	1827920000
HDC KTS 16	16 – 17	10	1826590000	1827930000
HDC KTS 17	17 – 18	10	1826600000	1827940000
for ASI cables				
HDC KT-ASI		10	1826610000	1828120000
2 or 4 openings				
HDC KT 2/4	2 x 4	10	1826620000	1828130000
HDC KT 2/5	2 x 5	10	1826630000	1828140000
HDC KT 2/6	2 x 6	10	1826640000	1828150000
HDC KT 4/5	4 x 5	10	1826650000	1828160000
Blanking plugs, small				
HDC BTK		10	1828170000	1828200000

HDC KT ...

Cable grommets, large



Blanking plugs

Adapter grommet

Technical data

Material, gray	Free from elastomers, halogens and silicone
Material, black	Elastomers with very high chemical resistance
Temperature range	-20 °C ... 80 °C
UL 94 flammability rating	V0

Ordering data

Type	Clamping range [mm]	Qty	Order No. gray	Order No. black
HDC KT 16	16 – 17	10	1825950000	1827950000
HDC KT 17	17 – 18	10	1826300000	1827960000
HDC KT 18	18 – 19	10	1826310000	1827970000
HDC KT 19	19 – 20	10	1826320000	1827980000
HDC KT 20	20 – 21	10	1826330000	1827990000
HDC KT 21	21 – 22	10	1826340000	1828000000
HDC KT 22	22 – 23	10	1826350000	1828010000
HDC KT 23	23 – 24	10	1826360000	1828020000
HDC KT 24	24 – 25	10	1826370000	1828030000
HDC KT 25	25 – 26	10	1826380000	1828040000
HDC KT 26	26 – 27	10	1826390000	1828050000
HDC KT 27	27 – 28	10	1826400000	1828060000
HDC KT 28	28 – 29	10	1826410000	1828070000
HDC KT 29	29 – 30	10	1826420000	1828080000
HDC KT 30	31 – 32	10	1826430000	1828090000
HDC KT 32	32 – 33	10	1826440000	1828100000
HDC KT 34	33 – 34	10	1826450000	1828110000
Adapter grommet, large (for small cable grommets)				
HDC ATG		10	1828190000	1828220000
Blanking plugs, large				
HDC BTG		10	1828180000	1828210000

Cabtite KEL

The rectangular panel cutout frames fit exactly into the standard cutout for heavy-duty connectors.

This makes it possible to accommodate up to 40 connectors in a very confined space.

- Feeds through prefabricated wiring in confined spaces.
- Two-piece, two-tier system
- Fast and easy mounting
- Standard panel cutout frames for 16- and 24-pole industrial plug-in connectors
- The predefined gap achieves a minimum class of protection of IP54
- Large numbers of cables in very confined spaces
- Retrofitting of prefabricated wiring also possible
- The manufacturer's guarantee covering the prefabricated cables remains valid
- Integral strain relief to VDE 0619
- Locknuts ensure that working "overhead" is safe and simple

Cabtite KEL SNAP frame

Snap frame for mounting the cable entry frame in the switchgear cabinet.

- The KEL can be fitted quickly without tools
- The KEL need not be fitted or removed to add or remove individual cables
- The drilling pattern is identical with that of the KEL
- Seals are already integrated on both sides
- Switchgear cabinets can be fitted with KEL SNAP in advance
- KEL SNAP is available for KEL 16 and KEL 24



Operating mode

1. The grommet is fitted around the cable.

Important:

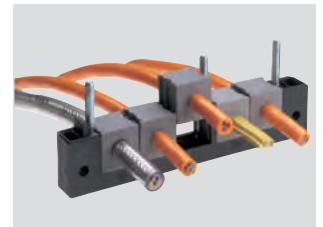
Choose a grommet with an appropriate clamping range for the diameter of the cable!



2. Press the grommet with the cable into the open cable entry frame.

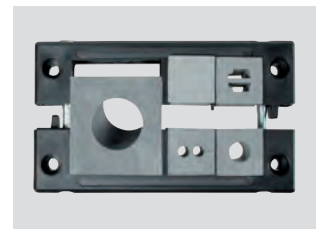
Important:

The flat side of the grommet must face upwards!



3. Assemble the two halves of the cable entry frame using the M5x50 Allen screws supplied.

This achieves integral strain relief in accordance with VDE 0619 (VDE = German Association for Electrical, Electronic and Information Technologies).



4. Finally, the rubber seal is glued around the cabinet panel cutout and the cable entry frame is secured with 4 screws. The cable entry is now complete, and has a protection class of IP54!

Advantage: The panel cutout frames are the same as those used for heavy-duty connectors. They are supplied by the switchgear cabinet manufacturers. You do not require a new punching die!



HDC KEL 16

Size equivalent to 16-pole HE inserts

KEL 16/8 with 8 small grommets



KEL 16/4 closed half-shell and 4 small grommets



Snap frame
KEL 16 SNAP



Technical data

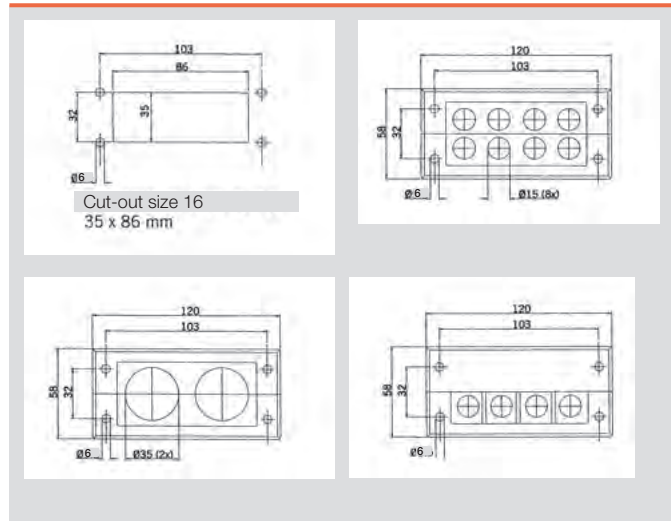
Material	Polyamide, free from halogens and silicone
Color	black
Temperatur range	-20 °C – 100 °C
Class of protection	IP54, when the correct cable grommet is selected
UL 94 flammability rating	V0

Ordering data

Type	Number of grommet positions small	large	Qty	Order No.
HDC KEL 16/2	-	2	10	1825860000
HDC KEL 16/4	4	- *)	10	1825900000
HDC KEL 16/5	4	1	10	1849770000
HDC KEL 16/8	8	-	10	1825910000
Snap frame				
HDC KEL 16 SNAP			10	1827770000

*) with closed half shell

Dimensions



HDC KEL 24

Size equivalent to 24-pole HE inserts

KEL 24/10 with 10 small grommets



KEL 24/7 with 1 large and 6 small grommets



Snap frame
KEL 24 SNAP



Technical data

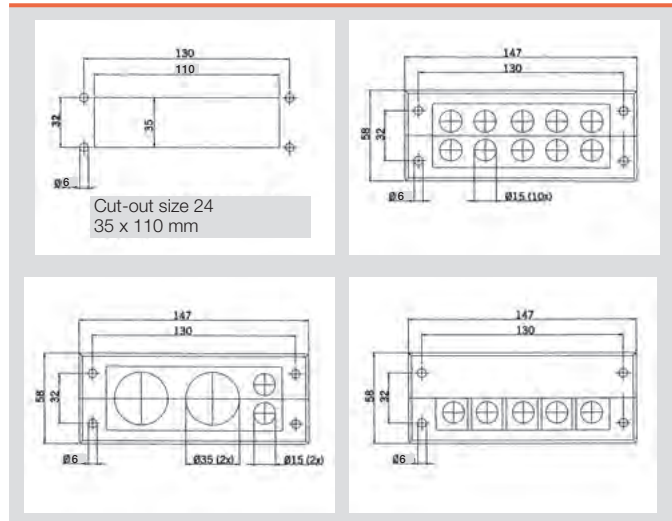
Material	Polyamide, free from halogens and silicone
Color	black
Temperatur range	-20 °C – 100 °C
Class of protection	IP54, when the correct cable grommet is selected
UL 94 flammability rating	V0

Ordering data

Type	Number of grommet positions small	large	Qty	Order No.
HDC KEL 24/4	2	2	10	1825930000
HDC KEL 24/5	5	- *)	10	1825940000
HDC KEL 24/7	6	1	10	1849760000
HDC KEL 24/10	10	-	10	1827760000
Snap frame				
HDC KEL 24 SNAP			10	1827780000

*) with closed half shell

Dimensions



Cable entry frames

Cable clamping rail Cabtite KEL-EMV

Feeds through prefabricated cables without interrupting the shielding

Advantages:

- Direct, simple and quick contact with the enclosure
- Two-tier version saves space with up to 10 cables
- Strain relief without cable ties in accordance with VDE 0619
- No EMC cable glands necessary for mains-generated interference sources
- Low-impedance shielding contact
- Seals using outer sheath and not the shield = higher class of protection!
- Trouble-free retrofitting



Technical data

Material	Stainless steel
----------	-----------------

Ordering data

Type	for	Qty	Order No.
HDC KEL EMV 16/4	KEL 16	10	1825750000
HDC KEL EMV 24/5	KEL 24	10	1825760000
HDC KEL EMV x/3	KEL 16 and KEL 24 transverse	10	1825770000

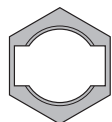
Cabtime KVT

KVTs are used to feed through prefabricated cables when space is tight or only a few cables are required. As is the case with its big brother, the KEL, this product is also a two-piece system for easy assembly using the same cable grommets. The preassembled KVT32 can be used for hole diameters up to 35 mm, the KVT63 for hole diameters up to 65 mm. A sealing ring is also included.

- This two-piece system means that the size of the plug-in connector to be fed through is limited only by the size of the hole diameter.
- Two-piece two-tier system
- Fast and easy mounting
- The predefined gap achieves a minimum class of protection of IP54
- Large numbers of cables in very confined spaces
- Retrofitting of prefabricated wiring also possible
- The manufacturer's guarantee covering the prefabricated cables remains valid
- Integral strain relief to VDE 0619



KEL 32



Locknut for D-Sub 9
KGM-SUB-D9



KEL 63-1

Technical data

Material	Polyamide, free from halogens and silicone
Class of protection	IP54, when the correct cable grommet is selected
Temperature range	-5 °C ... 70 °C
UL 94 flammability rating	V0

Ordering data

Type	Thread	For grommet		Qty	Order No. white
		small	large		
HDC KVT 25	M 25 x 1.5	1	-	10	1826660000
HDC KVT 32	M 32 x 1.5	1	-	10	1826670000
HDC KVT 63-4	M 63 x 1.5	4	-	5	1828230000
HDC KVT 63-1	M 63 x 1.5	-	1	5	1828240000
Note: HDC KVT 63-x types are supplied with a locknut.					
Locknut for D-Sub 9					
KGM-SUB-D9	M 32 x 1.5			10	1828250000

Operating mode

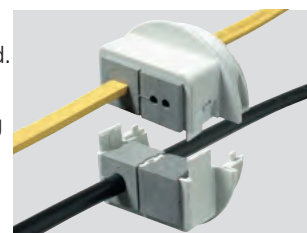
1. The grommet is fitted around the cable.

Important:

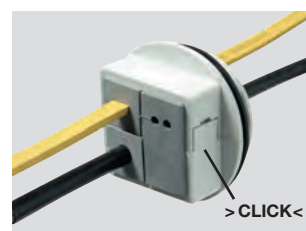
Choose an appropriately sized grommet for the diameter of the cable!



2. Press the grommet with the cable into the open cable gland. The flat sides of the grommet must face upwards when fitting the KVT 63/4!



3. Squeeze the two halves of the cable gland together until they lock together with an audible "click".



4. Place the seal, which is also supplied, over the thread. Then fit the cable gland into the hole and, if necessary, secure it with a locknut.



