

Electronic Interface Modules

Heat Sink, Model HS01

Ultra SlimPak® Series

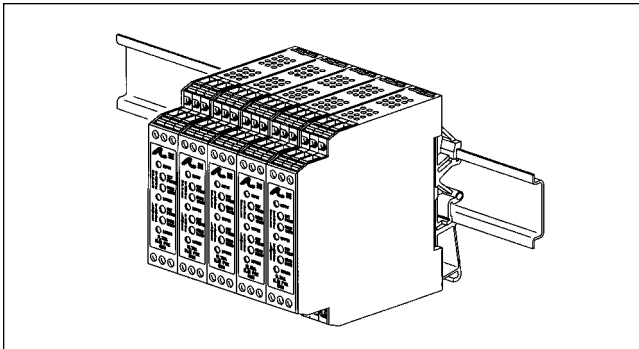


Figure A: Horizontal Rail Mount (recommended)

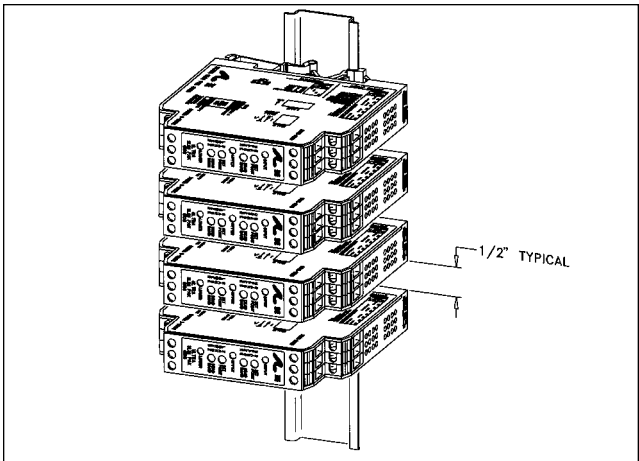


Figure B: Vertical Rail Mount (circulating air and 1/2" gap, >5 units)

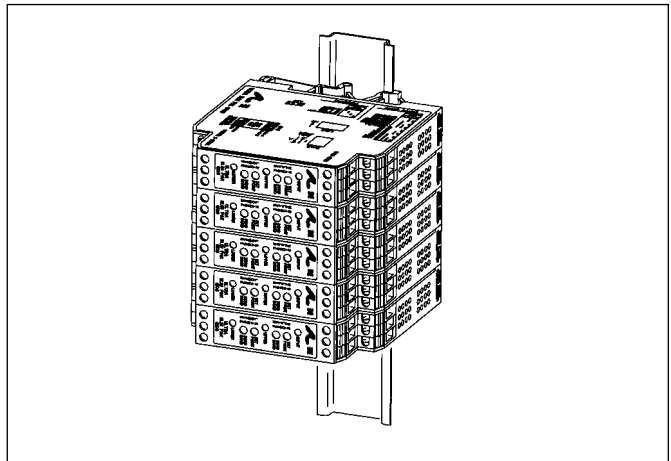


Figure C: Vertical Rail Mount >5 units not recommended)

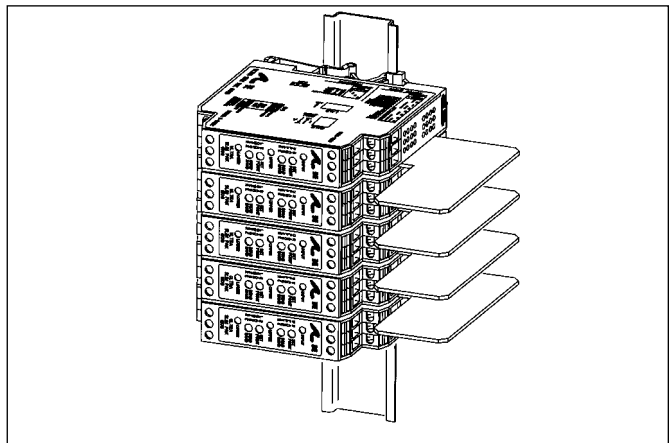


Figure D: Vertical Rail Mount (circulating air and Model HS01 Heat Sink, >5 units)

Weidmuller Ltd.
10 Spy Court
Markham, ON L3R 5H6
Tel: (905)475-1507
Fax: (905)475-5855

Weidmuller Ltd
821 Southlake Blvd.
Richmond, VA 23236 U.S.A.
Tel: (804)794-2877
Fax: (804)794-0252

ISO 9001 Registered

All Ultra SlimPak (USP) modules are designed and tested to operate in ambient temperatures from 0 to 55°C, when mounted on a horizontal rail (see Figure A) or with approximately 1/2" between modules (see Figure B) to allow adequate air circulation.

When five or more modules are mounted in close proximity (see Figure C) or are mounted on a vertical rail (see Figure D), circulating air or model HS01 Heat Sink is recommended.

