

Analog signal isolators
WAVEANALOG 2 OLP
from the WAVESERIES



Analog signal isolators
WAVEANALOG 2 OLP
from the WAVESERIES

Type	Cat. No.
Screw connection WAS5 CCC 2 OLP	8581160000
Tension clamp connection WAZ5 CCC 2 OLP	8581170000

Please read these instructions before using the product
and retain for future information.

1. General instructions

Warning! The analogue signal isolators of the WAVE_{ANALOG} may only be installed by qualified personnel. Be sure not to connect the unit to power supply before appropriate installation. Do not select ranges during operation, because live parts are exposed during this process.

Be sure to observe the national regulations for installation and selection of cables.



Appropriate safety measures against electrostatic discharge (ESD) should be taken during assembly and adjustment work on the WAVE_{ANALOG} OLP.

2. Application

The analog signal isolator WAVE_{ANALOG} 2 OLP is used for the galvanic isolation and conditioning of current signals. Input signals and output signals are permanently calibrated and cannot be conditioned. It is **not** necessary to adjust the pre-settable measurement ranges.

3. Mounting

Die The analogue signal isolators are mounted on standard TS 35 rails.

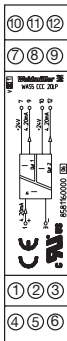
4. Electrical connection

Terminal assignments

- 1 Input current loop +
- 2 Not assigned
- 3 Input current loop -
- 4 Not assigned
- 5 Not assigned
- 6 Not assigned
- 7 Output 1 current loop +
- 8 Not assigned
- 9 Output 1 current loop -
- 10 Output 2 current loop +
- 11 Not assigned
- 12 Output 2 current loop -

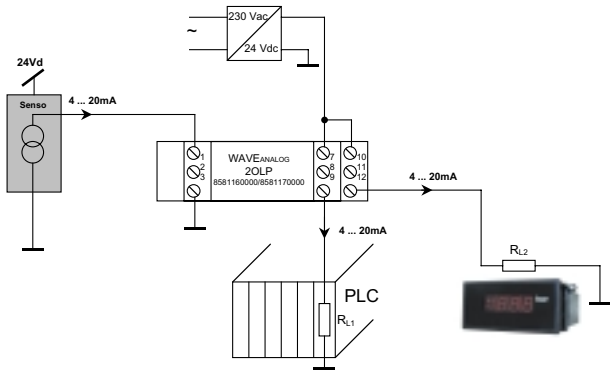
Wire cross-section max. 2.5 mm²

Multi-wire connection max. 1 mm²
(two wires with same cross-section)

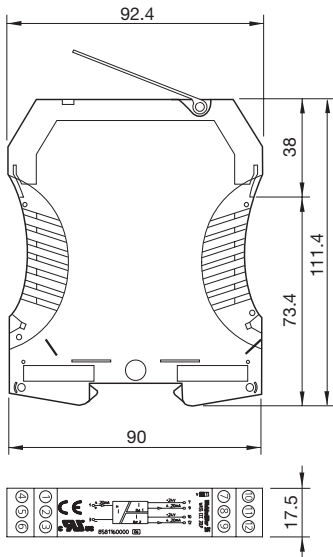


Warning! For applications with high isolation voltages, take measures to prevent accidental contact and make sure that there is sufficient distance or insulation between adjacent devices!

5. Application



6. Dimensions in mm



7. Accessories Connection markers

Designation	Cat. No.
WS 10/5 Multicard for plotter marking	1635010000
WS 10/5 Neutral	1060860000

8. Notes on CE marking

The WAS5/WAZ5 PRO Freq. analog signal isolators are marked CE in accordance with the EU directives 89/336/EEC "Electromagnetic Compatibility" detailing the Harmonized European Standards (EN). The declarations of conformity are held, according the above mentioned EU directive, article 10, for the authorizing body by:

Weidmüller Interface GmbH & Co.
Postfach 30 30
32720 Detmold
Phone +49 5231 14-0
Fax +49 5231 14-2083
e-mail: info@weidmueller.com
www.weidmueller.com

