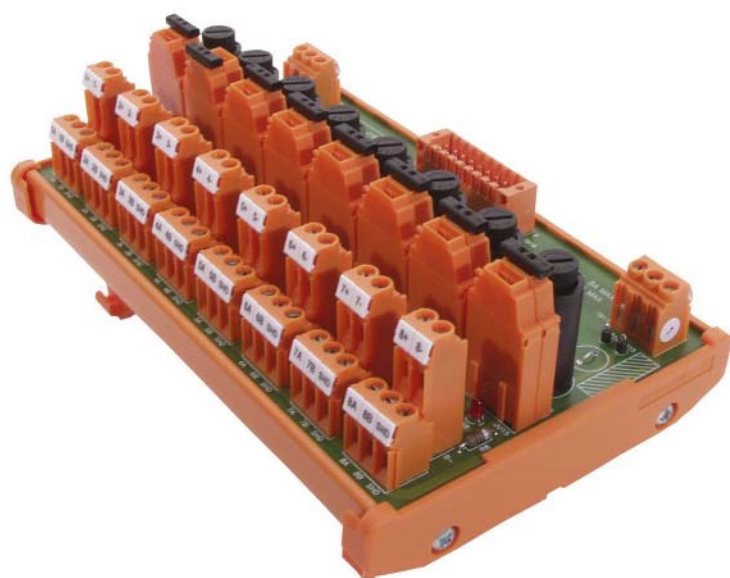


## QUICKbloc™ 16 Channel Universal I/O Module

# NEW



The 16 channel Universal I/O module is designed for all common digital and analog I/O applications. The module provides power and signal distribution and a high density connection for the cable to the PLC I/O card.

The module is configurable for either 8 dual ended channels or 16 single ended channels. These can be digital signals up to 125V or analog signals. Fused power is provided at each channel (or pair of channels in single ended applications). The cable connection uses Weidmüller's innovative B2L/S2L connectors - high density but easy to configure, terminated without any special tools and suitable for large gauge wires. Weidmüller also offers cables in various lengths.

Fuses include status LEDs and there are test points on each signal line to make measurements or the use of Hart protocol calibrators easy.

### Features:

- provides power and signal distribution eliminating considerable installation and wiring time
- suitable for digital inputs and outputs up to 125V, 1A per channel (5A total)
- mounts on both 32mm and 35mm DIN rails
- CSA approved

#### Canada

Weidmüller Ltd.  
10 Spy Court  
Markham, Ontario L3R 5H6  
Telephone: (800) 268-4080  
Facsimile: (905) 475-2798  
Email: [info1@weidmuller.ca](mailto:info1@weidmuller.ca)  
Website: [www.weidmuller.ca](http://www.weidmuller.ca)

#### Mexico

Weidmüller, S.A. de C.V.  
Ave. Ingenieros Civiles #204  
Conjunto Industrial Chachapa  
72990 Puebla, Pue. Mexico  
Telephone: (222) 286 62 47  
Facsimile: (222) 286 62 42

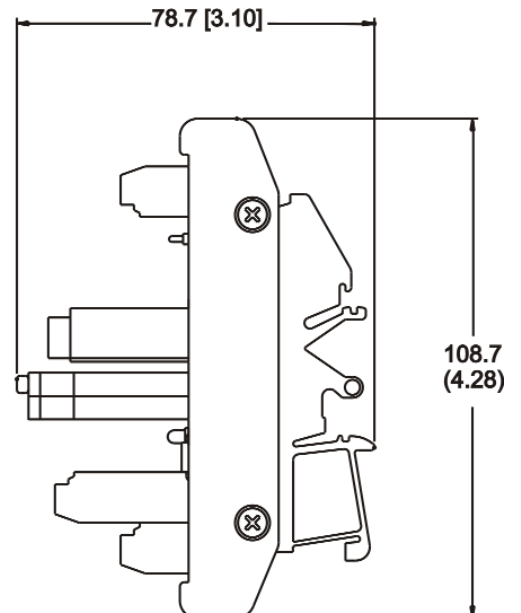
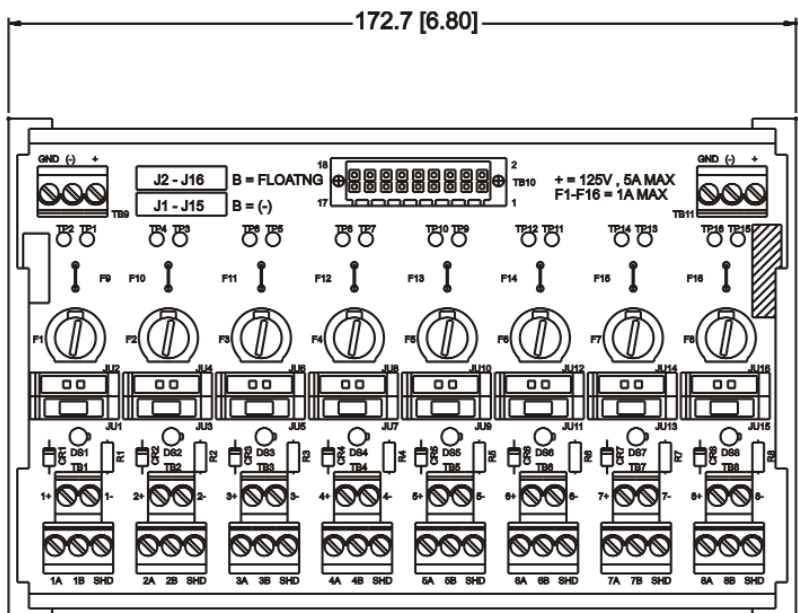
#### United States

Weidmüller Inc.  
821 Southlake Blvd.  
Richmond, Virginia 23236  
Telephone: (800) 849-9343  
Facsimile: (804) 379-2593  
Email: [info@weidmuller.com](mailto:info@weidmuller.com)  
Website: [www.weidmuller.com](http://www.weidmuller.com)

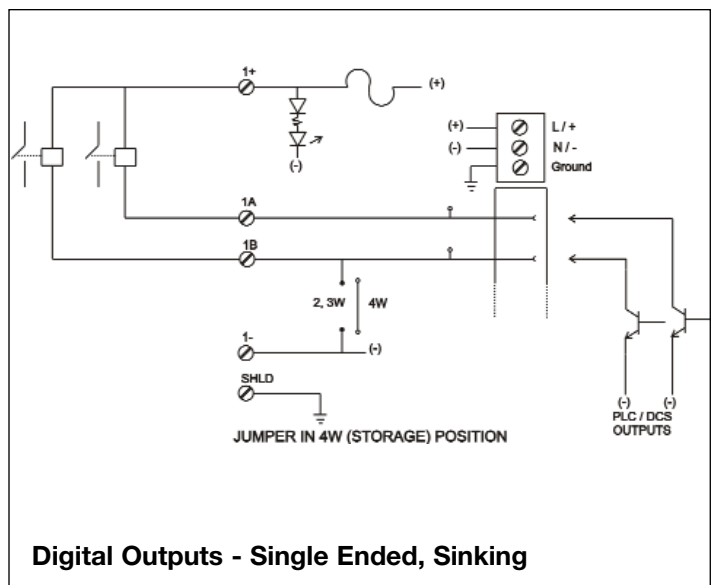
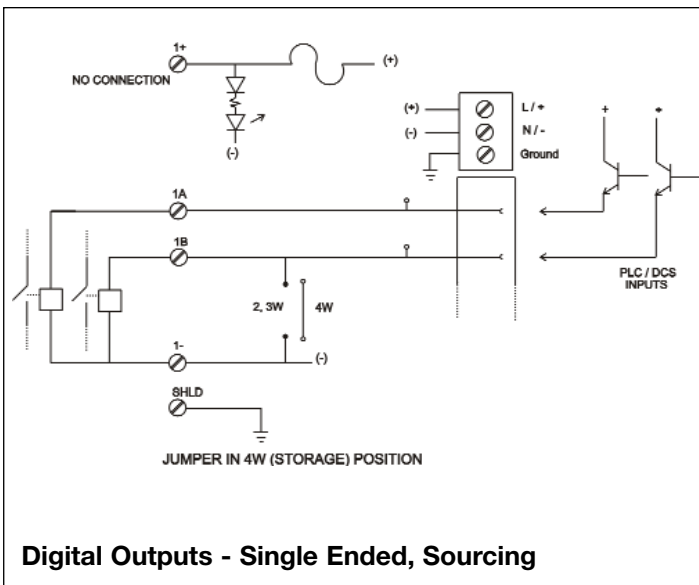
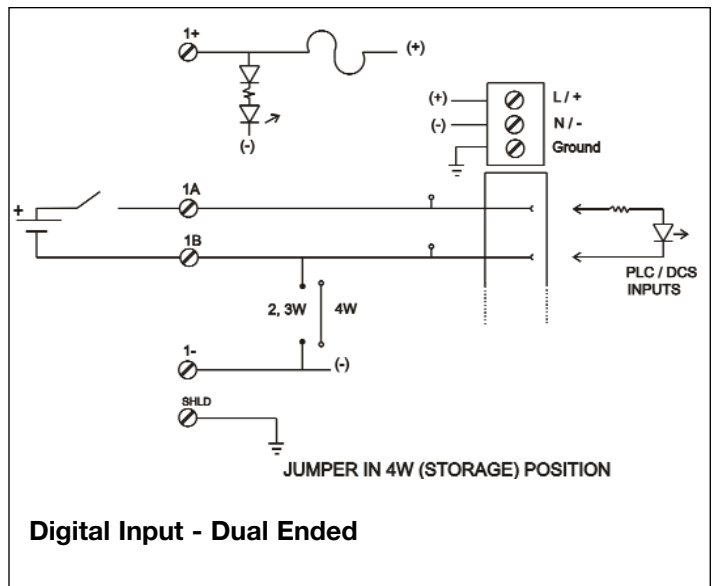
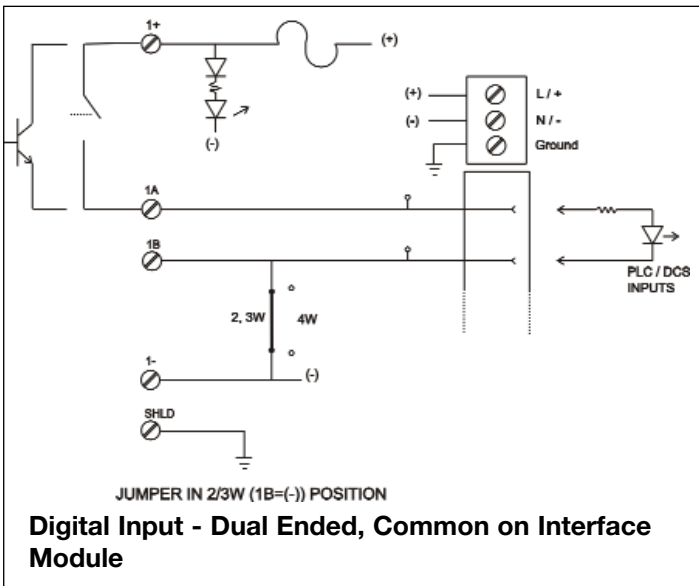
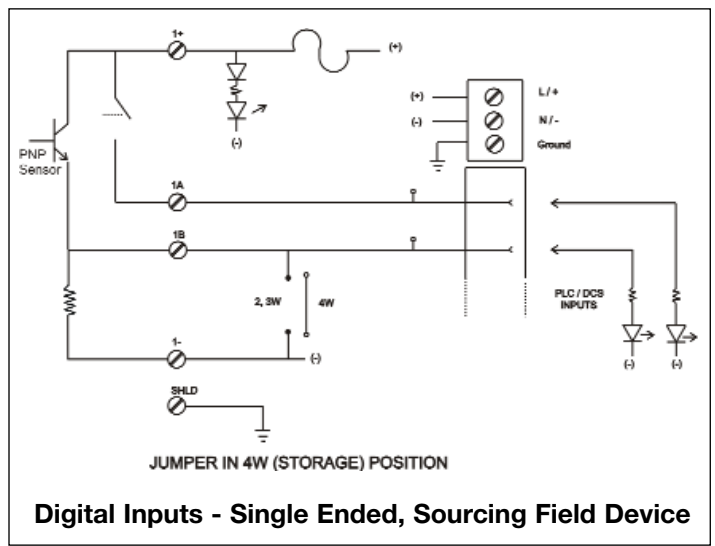
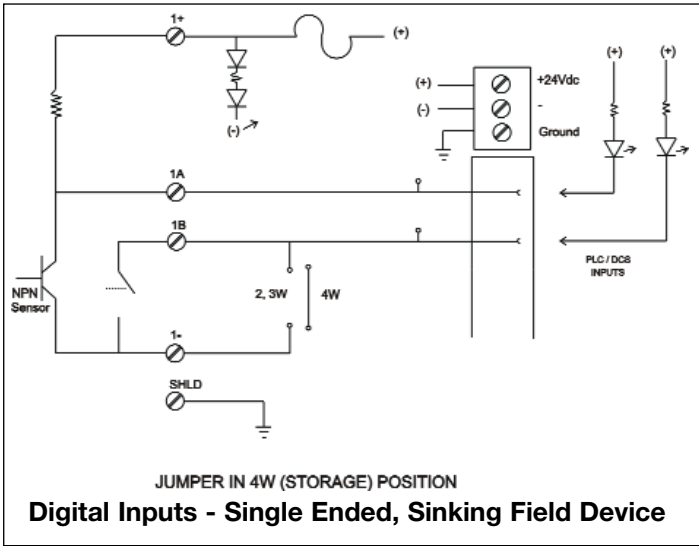
# QUICKbloc™ Universal I/O Module

## Specifications

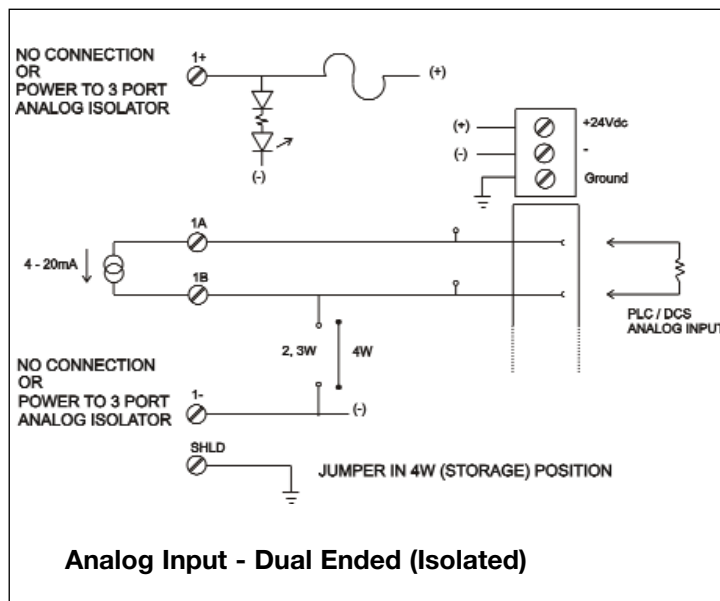
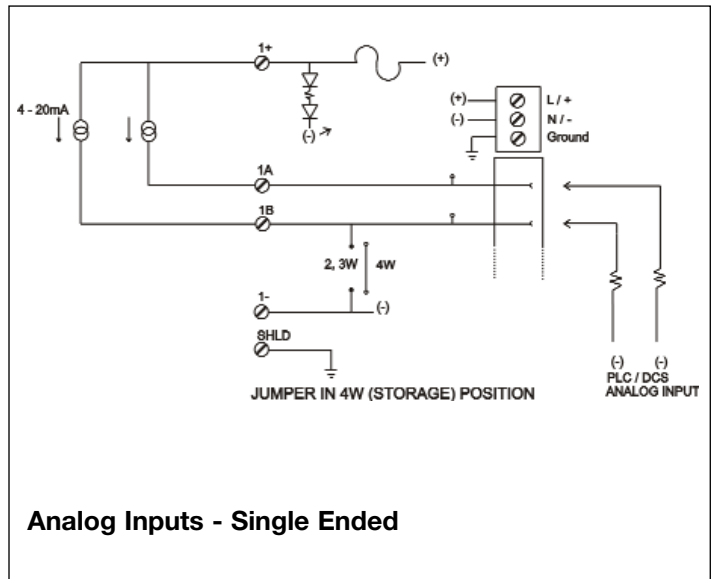
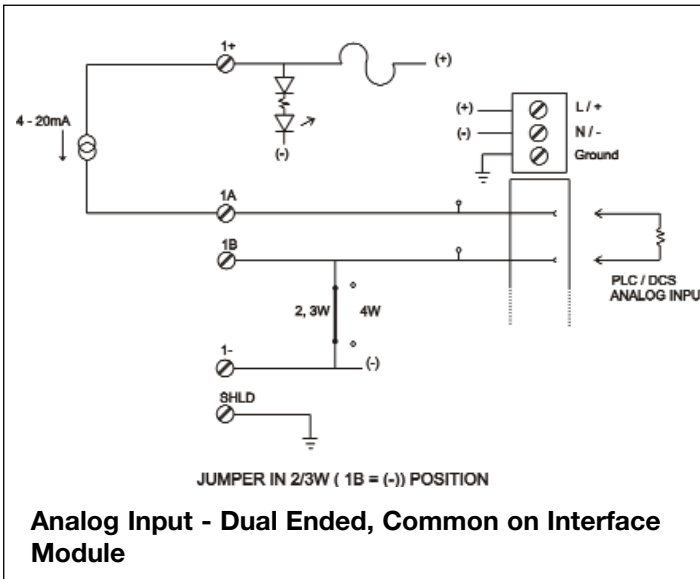
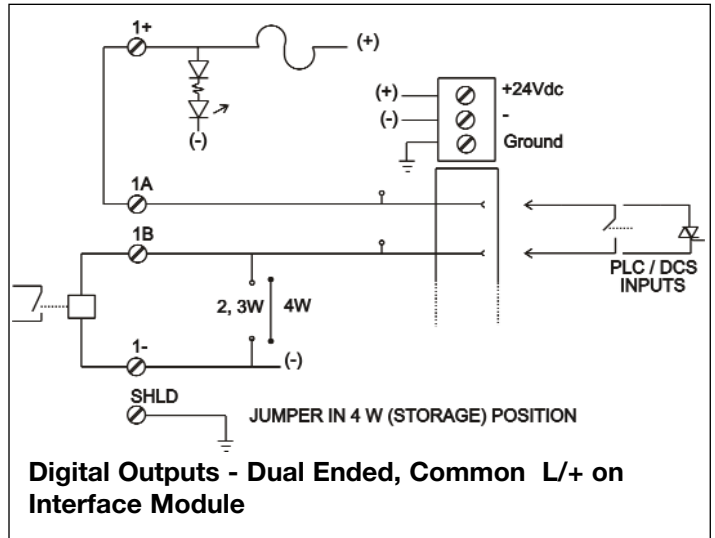
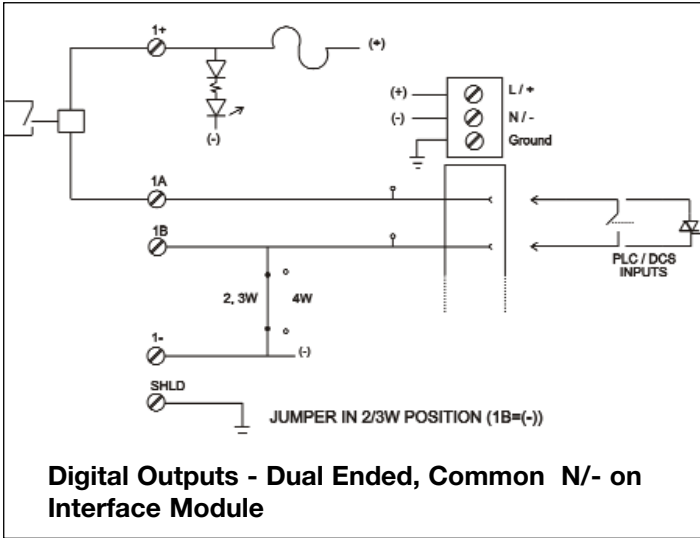
Supply ("L/+" and "N/-"):	125V max., 5A max.
Power per channel (1-8"+, 1-8"-"):	125V max., 1A max.
Fuse per channel:	5x20mm, 1A max. (not supplied) green LED status indication (fuse healthy)
Wire size - all screw terminals:	26-12 AWG (0.5 - 4mm <sup>2</sup> )
Cable connector:	18 pole (power plus 16 signal lines) male S2L with locking screws. Mates with Weidmuller 18 pole B2L tension clamp connector (cat.#1748070000) accepting 28-18AWG (0.08-1.0mm <sup>2</sup> ) wires
Test points:	tin plated phosphor bronze, compatible with alligator clips and J-hook test leads
Approvals:	CSA
Catalog number:	7940000602



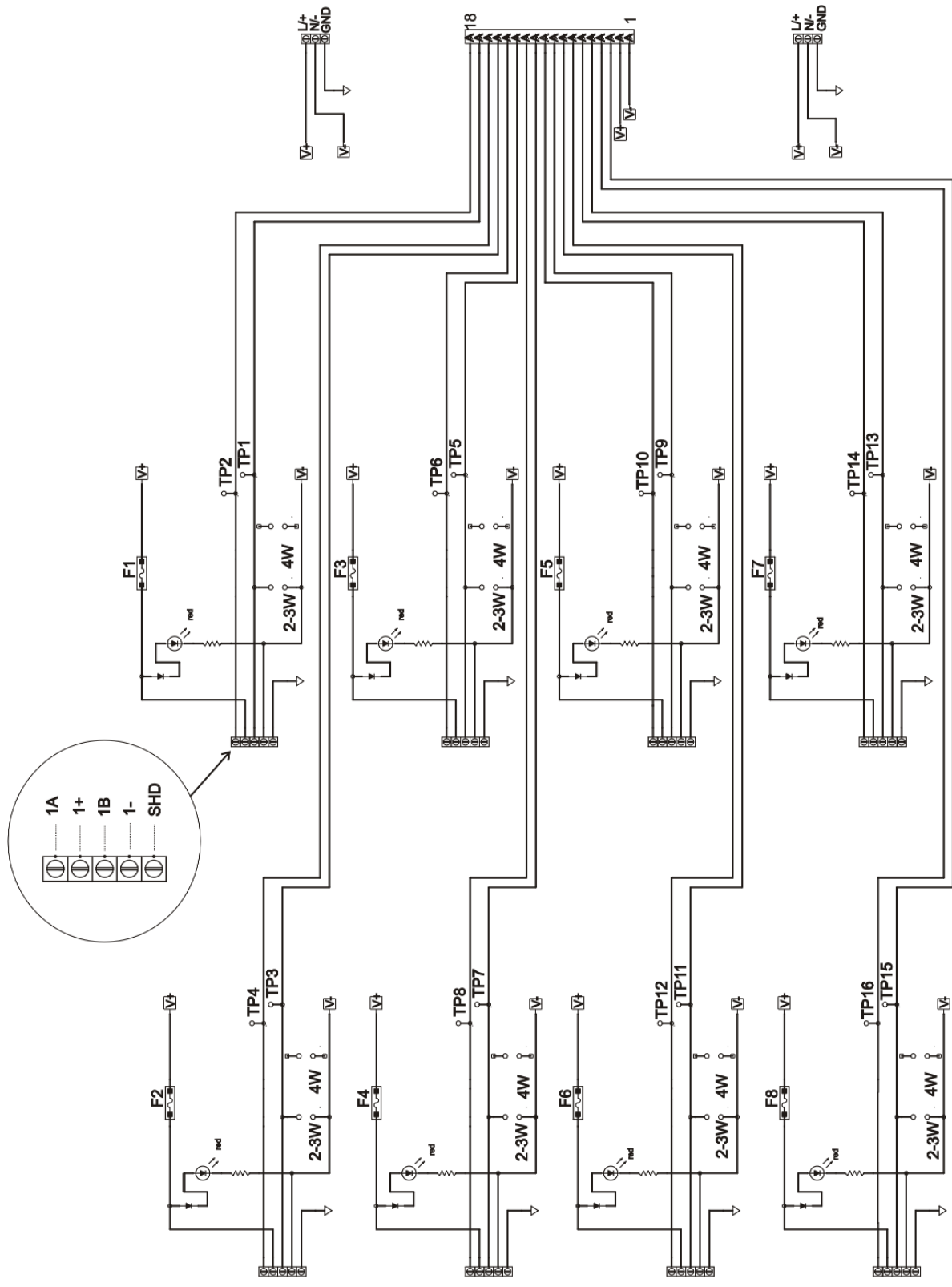
# QUICKbloc™ Universal I/O Module



# QUICKbloc™ Universal I/O Module



# QUICKbloc™ Universal I/O Module



# QUICKbloc™ Universal I/O Module

## Cables:



Conductors:		18 (2 power plus 16 signals) conductor	
		18AWG, CSA rated for 300V	
		Power conductors: 5A max.	
		Signal conductors: 1A max. recommended	
Module end:		Weidmuller B2L connector (cat #1748070000)	
PLC end:		Individual wires, with ferrules and wire markers;	
		+, -, 1A, 1B, 2A, 2B.....	
		Signal wires labelled as per the field wiring terminals on the module	
Length (m)		Catalog Number	
	2.0	<b>7940000628</b>	
	2.5	<b>7940001719</b>	
	5.0	<b>7940000629</b>	
Consult Weidmuller for other cable lengths.			